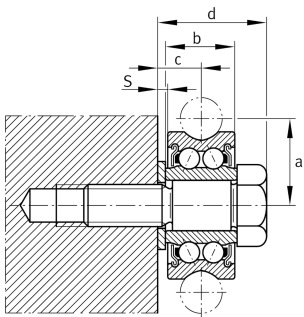
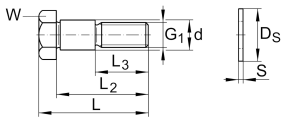
**LFZ12-RB**

Journal track roller

centric bolts for track rollers LFR

Technical information

**Your current product variant**

Size code	12	
Material-Property	RB	Corrosion-resistant design

Main Dimensions & Performance Data

BGR	12	Dimension PIN
d	12 mm	
G 1	M10	
L	43 mm	
≈m	34,3 g	Weight

Mounting dimensions

D _s	21 mm
L ₂	36 mm
L ₃	22 mm
S	1,8 mm
W	17 mm