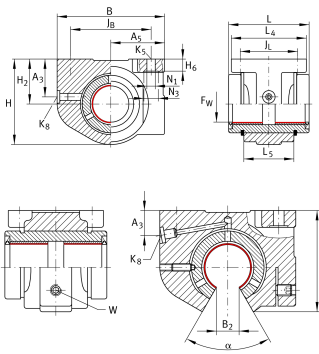
**PAGBAO16-PP-AS**

Linear plain bearing and housing unit

Linear plain bearing and housing unit; open design, sealed on all sides, with relubrication facility

Technical information



Your current product variant

Size code	16
Seal	PP
Relubrication facility	AS

Main Dimensions & Performance Data

F _w	16 mm	Diameter of ball complement
H	36,8 mm	Height
L	36 mm	Length
Tol _L	h12	Tolerance
B	50 mm	Width
≈m	90 g	Weight



Mounting dimensions

J _B	40 mm	
Tol J _B	+ 0,15 mm	Upper tolerance
Tol J _B	- 0,15 mm	Lower tolerance
A ₅	25 mm	
B ₂	10,1 mm	
L ₄	35 mm	
L ₅	22 mm	
J _L	26 mm	
Tol J _L	+ 0,15 mm	Upper tolerance
Tol J _L	- 0,15 mm	Lower tolerance
H ₂	22 mm	Center height
A ₃	10 mm	
H ₆	5,4 mm	
Tol H ₆	- 0,5 mm	Tolerance
N ₁	4,7 mm	Mounting Dimension
N ₃	8 mm	Mounting Dimension
K ₅	M4	
K ₈	NIPA1	Lubrication nipple
W	2,5 mm	Width across flats
M W _{max}	1,5 Nm	Max. tightening torque
α	78 °	Angle