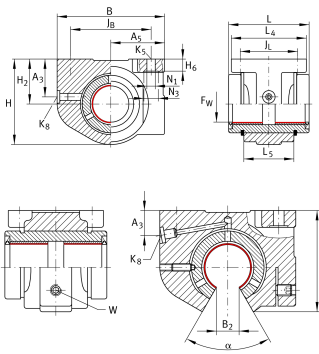
**PAGBAO20-PP-AS**

Linear plain bearing and housing unit

Linear plain bearing and housing unit; open design, sealed on all sides, with relubrication facility

Technical information



Your current product variant

Size code	20
Seal	PP
Relubrication facility	AS

Main Dimensions & Performance Data

F _W	20 mm	Diameter of ball complement
H	44,5 mm	Height
L	45 mm	Length
Tol _L	h12	Tolerance
B	60 mm	Width
≈m	0,16 kg	Weight



Mounting dimensions

J _B	45 mm	
Tol J _B	+ 0,15 mm	Upper tolerance
Tol J _B	- 0,15 mm	Lower tolerance
A ₅	30 mm	
B ₂	10 mm	
L ₄	42 mm	
L ₅	28 mm	
J _L	32 mm	
Tol J _L	+ 0,15 mm	Upper tolerance
Tol J _L	- 0,15 mm	Lower tolerance
H ₂	25 mm	Center height
A ₃	11 mm	
H ₆	6,7 mm	
Tol H ₆	- 0,5 mm	Tolerance
N ₁	4,7 mm	Mounting Dimension
N ₃	8 mm	Mounting Dimension
K ₅	M4	
K ₈	NIPA1	Lubrication nipple
W	2,5 mm	Width across flats
M W _{max}	1,5 Nm	Max. tightening torque
α	60 °	Angle