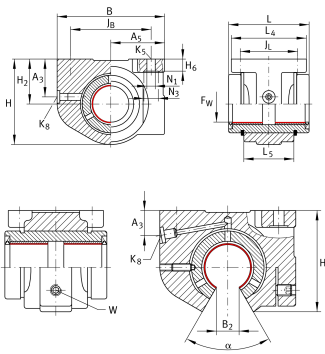
**PAGBAO25-PP-AS**

Linear plain bearing and housing unit

Linear plain bearing and housing unit; open design, sealed on all sides, with relubrication facility

Technical information



Your current product variant

Size Code	25
Seal	PP
Relubrication facility	AS

Main Dimensions & Performance Data

F _W	25 mm	Diameter of ball complement
H	56 mm	Height
L	58 mm	Length
Tol _L	h12	Tolerance
B	74 mm	Width
≈m	0,31 kg	Weight



Mounting dimensions

J _B	60 mm	
Tol J _B	+ 0,2 mm	Upper tolerance
Tol J _B	- 0,2 mm	Lower tolerance
A ₅	37 mm	
B ₂	12,5 mm	
L ₄	54 mm	
L ₅	40 mm	
J _L	40 mm	
Tol J _L	+ 0,2 mm	Upper tolerance
Tol J _L	- 0,2 mm	Lower tolerance
H ₂	30 mm	Center height
A ₃	13 mm	
H ₆	7,8 mm	
Tol H ₆	- 0,5 mm	Tolerance
N ₁	5,7 mm	Mounting Dimension
N ₃	10 mm	Mounting Dimension
K ₅	M5	
K ₈	NIPA1	Lubrication nipple
W	3 mm	Width across flats
M W _{max}	3 Nm	Max. tightening torque
α	60 °	Angle