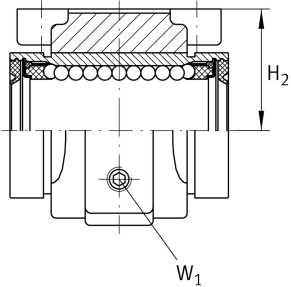
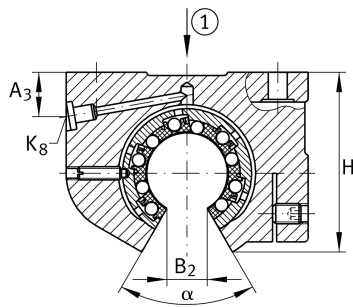
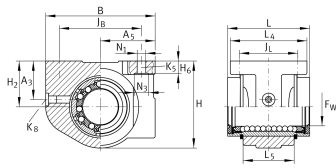
**KGBAO30-PP-AS**

Linear Ball Bearing and Housing Unit

Linear ball bearing and housing unit; open design, sealed, greased, with relubrication facility; corrosion-resistant design possible

Technical information



Your current product variant

Size code	30
Seal	PP
Relubrication facility	AS

Technical data

	5	Ball rows
≈m	0,55 kg	Weight

Main Dimensions & Performance Data

F _w	30 mm	Diameter of ball complement
H	63,5 mm	Height
L	68 mm	Length
Tol L	h12	Tolerance
B	84 mm	Width
C	3.700 N	Load capacity dyn. C
C ₀	3.000 N	Load capacity stat. C ₀



Mounting dimensions

J _B	68 mm	
Tol J _B	+ 0,2 mm	Upper tolerance
Tol J _B	- 0,2 mm	Lower tolerance
A ₅	42 mm	
Tol A ₅	+ 0,01 mm	Upper tolerance
Tol A ₅	- 0,01 mm	Lower tolerance
B ₂	13,6 mm	
L ₄	60 mm	
L ₅	48 mm	
J _L	45 mm	
Tol J _L	+ 0,2 mm	Upper tolerance
Tol J _L	- 0,2 mm	Lower tolerance
H ₂	35 mm	Height shaft
Tol H ₂	+ 0,01 mm	Upper tolerance
Tol H ₂	- 0,01 mm	Lower tolerance
A ₃	14 mm	
H ₆	8,7 mm	
Tol H ₆	- 0,5 mm	Tolerance
N ₁	6,8 mm	
N ₃	11 mm	
K ₅	M6	
K ₈	NIPA2	Lubrication nipple
W ₁	3 mm	Width across flats
M W ₁ max	4 Nm	Max. tightening torque
α	54 °	Angle