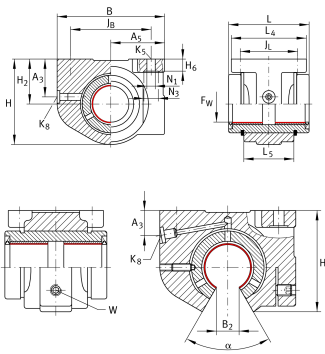
**PAGBAO40-PP-AS**

Linear plain bearing and housing unit

Linear plain bearing and housing unit; open design, sealed on all sides, with relubrication facility

Technical information

**Your current product variant**

Size code	40
Seal	PP
Relubrication	AS

Main Dimensions & Performance Data

F _W	40 mm	Diameter of ball complement
H	82,4 mm	Height
L	80 mm	Length
Tol _L	h12	Tolerance
B	108 mm	Width
≈m	0,91 kg	Weight



Mounting dimensions

J _B	86 mm	
Tol J _B	+ 0,2 mm	Upper tolerance
Tol J _B	- 0,2 mm	Lower tolerance
A ₅	54 mm	
B ₂	18,2 mm	
L ₄	78 mm	
L ₅	56 mm	
J _L	58 mm	
Tol J _L	+ 0,2 mm	Upper tolerance
Tol J _L	- 0,2 mm	Lower tolerance
H ₂	45 mm	Center height
A ₃	18 mm	
H ₆	11 mm	
Tol H ₆	- 0,5 mm	Tolerance
N ₁	9,2 mm	Mounting Dimension
N ₃	15 mm	Mounting Dimension
K ₅	M8	
K ₈	NIPA2	Lubrication nipple
W	4 mm	Width across flats
M W _{max}	5 Nm	Max. tightening torque
α	54 °	Angle