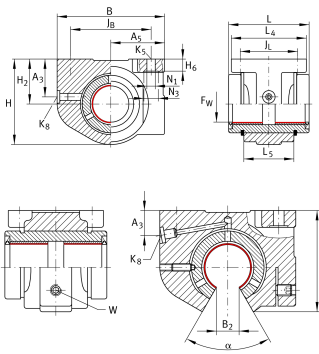


### PAGBAO50-PP-AS [↗](#)

Linear plain bearing and housing unit

Linear plain bearing and housing unit; open design, sealed on all sides, with relubrication facility

## Technical information



### Your current product variant

Size Code	50
Seal	PP
Relubrication facility	AS

### Main Dimensions & Performance Data

F <sub>w</sub>	50 mm	Diameter of ball complement
H	92,8 mm	Height
L	100 mm	Length
Tol <sub>L</sub>	h12	Tolerance
B	130 mm	Width
≈m	1,46 kg	Weight



### Mounting dimensions

J <sub>B</sub>	108 mm	
Tol J <sub>B</sub>	+ 0,2 mm	Upper tolerance
Tol J <sub>B</sub>	- 0,2 mm	Lower tolerance
A <sub>5</sub>	65 mm	
B <sub>2</sub>	22,7 mm	
L <sub>4</sub>	70 mm	
L <sub>5</sub>	72 mm	
J <sub>L</sub>	50 mm	
Tol J <sub>L</sub>	+ 0,2 mm	Upper tolerance
Tol J <sub>L</sub>	- 0,2 mm	Lower tolerance
H <sub>2</sub>	50 mm	Center height
A <sub>3</sub>	19 mm	
H <sub>6</sub>	12,5 mm	
Tol H <sub>6</sub>	- 0,5 mm	Tolerance
N <sub>1</sub>	9,2 mm	Mounting Dimension
N <sub>3</sub>	15 mm	Mounting Dimension
K <sub>5</sub>	M8	
K <sub>8</sub>	NIPA2	Lubrication nipple
W	4 mm	Width across flats
M W <sub>max</sub>	7 Nm	Max. tightening torque
α	54 °	Angle