



IMAGE COMING SOON

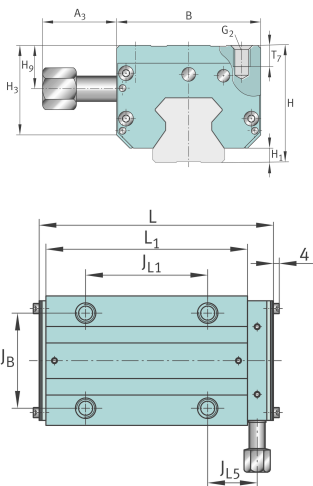


### RUKS55-D-A-H-SR [↗](#)

#### Braking/clamping element

Clamping element RUKS...D-A-H-SR, for linear recirculating roller bearing and guideway assembly, oil connector on side

### Technical information



#### Your current product variant

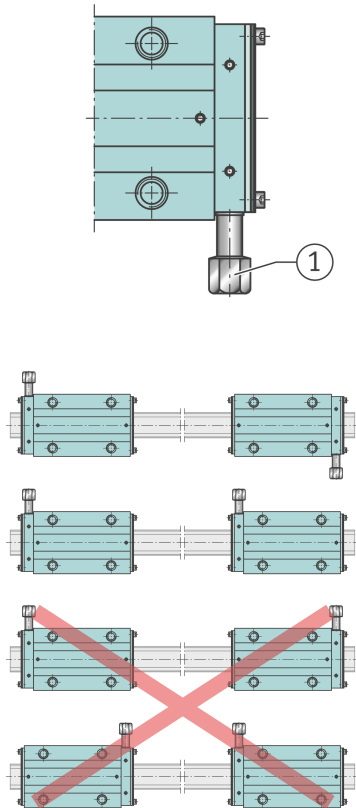
Size code	55	
Version	D	
Internal design	A	
Carriage design	H	High carriage
Oil feed	SR	Oil connector on side

#### Main Dimensions & Performance Data

H	80 mm	Height system
B	98 mm	Width clamping element
L	186,3 mm	Length of clamping element
≈m	6,51 kg	Weight



### Mounting dimensions



J <sub>B</sub>	75 mm	Hole pattern width
A <sub>3</sub>	38,5 mm	Mounting dimension oil connector
L <sub>1</sub>	163 mm	Length saddle plate
J <sub>L1</sub>	75 mm	Hole pattern lengthwise
J <sub>L5</sub>	50,5 mm	Distance
N <sub>2 max</sub>	6 mm	Max diameter lubrication hole adjacent constr
H <sub>1</sub>	11 mm	Space (system)
H <sub>3</sub>	62 mm	
T <sub>7</sub>	15 mm	Depth thread
H <sub>9</sub>	29 mm	
G <sub>2</sub>	M12	Size thread above for DIN ISO 4762-12.9
M G <sub>2</sub>	140 Nm	Tightening torque above

### Related products

TSX55-E; TSX55-F	Suitable guideway
RUE55-E; RUE55-F	Suitable system