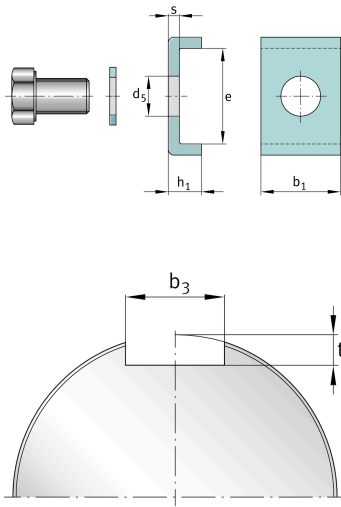
**FAG****MS31/530**

Securing plate

Securing plate MS, locknut, DIN5406

Technical information

**Main Dimensions & Performance Data**

b_1	40 mm	Length retaining ring
e	51 mm	Width inner retaining ring
h_1	21 mm	Hight retaining ring
$\approx m$	364 g	Weight

Mounting dimensions

b_3	42 mm	Width retaining slot
t	14 mm	Hight retaining slot

Dimensions

s	7 mm	Thickness
d_5	22 mm	Diameter fixing hole spacing

Additional information

M20x40	Hexagonal bolt
430 Nm	Mounting torque screw