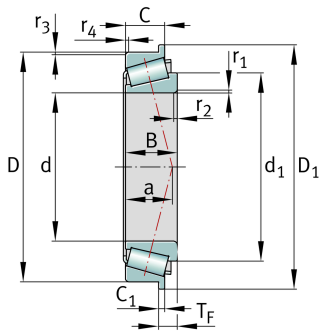


**FAG****30210-A-R**

## Tapered roller bearing

Tapered roller bearings with flange 302, main dimensions acc. to DIN 720, separable

## Technical information

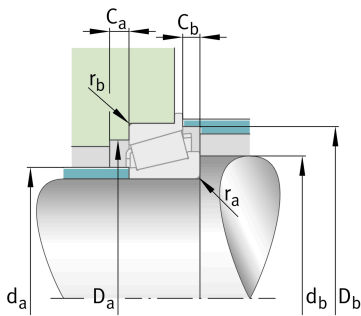


## Your current product variant

Tolerance class	PN	Normal (ISO 492:2023)
Heat treatment	Standard	
Cage	Standard	Sheet steel cage, window cage, roller-guided
Internal design	Standard	
Quality level	Standard	
Number of rows	1	Single-row design

## Main Dimensions &amp; Performance Data

d	50 mm	Bore diameter
D	90 mm	Outside diameter
B	20 mm	Width, inner ring
C	17 mm	Width, outer ring
T <sub>F</sub>	8,75 mm	Width assembled flange bearing
C <sub>r</sub>	79.000 N	Basic dynamic load rating, radial
C <sub>0r</sub>	96.000 N	Basic static load rating, radial
C <sub>ur</sub>	11.500 N	Fatigue load limit, radial
n <sub>G</sub>	8.200 1/min	Limiting speed
n <sub>gr</sub>	5.000 1/min	Thermal speed rating
≈m	0,57 kg	Weight





### Mounting dimensions

$d_{a \max}$	58 mm	Maximum diameter of shaft shoulder
$d_{b \min}$	57 mm	Minimum diameter of shaft shoulder
$D_{a \min}$	79 mm	Minimum diameter of housing shoulder
$D_{a \max}$	83 mm	Maximum diameter of housing shoulder
$D_{b \min}$	85 mm	Minimum diameter of housing shoulder
$C_{a \min}$	3 mm	Minimum axial space
$C_{b \min}$	4,5 mm	Minimum axial space
$r_{a \max}$	1,5 mm	Maximum fillet radius of shaft
$r_{b \max}$	1,5 mm	Maximum fillet radius of housing

### Dimensions

$r_{1, 2 \min}$	1,5 mm	Minimum chamfer dimension of inner ring back face
$r_{3, 4 \min}$	1,5 mm	Minimum chamfer dimension of outer ring back face
$a$	20 mm	Distance between the apexes of the pressure cones
$d_1$	68,8 mm	Guidance rib diameter of inner ring
$D_1$	95 mm	Outside diameter flange
$C_1$	4 mm	Width flange

### Temperature range

$T_{\min}$	-30 °C	Operating temperature min.
$T_{\max}$	120 °C	Operating temperature max.

### Calculation factors

$e$	0,42	Limiting value of $F_a/F_r$ for the applicability of diff. Values of factors X and Y
$Y$	1,43	Dynamic axial load factor
$Y_0$	0,79	Static axial load factor



### Additional information

---

T3DB050

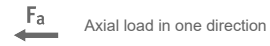
Comparative designation to ISO 10317 and ISO 355

### Characteristics

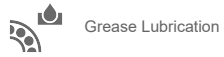
---



Radial load



Axial load in one direction



Grease Lubrication



Oil Lubrication



Not sealed