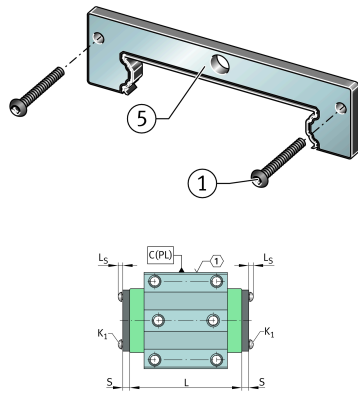


**KIT.KWVE25-W-370** [↗](#)  
 Accessory kit  
 Sealing and lubrication elements KIT for KUVE...-W

### Technical information



### Your current product variant

Size Code	25	
Design	W	Wide carriage
KIT-number	370	KIT end number

### Main Dimensions & Performance Data

K 1	M3x18	Screw
L S	1,65 mm	Dimension screw
	S 2,5	Hexagon socket screw
S	4,5 mm	Dimension
≈m	0,015 kg	Weight

### Degree of contamination

Yes	KIT suitable for very slight degree of contamination
Yes	KIT suitable for slight degree of contamination
Yes	KIT suitable for moderate degree of contamination
No	KIT suitable for heavy degree of contamination

### Increase of displacement

Yes	Large increase in displacement force
-----	--------------------------------------