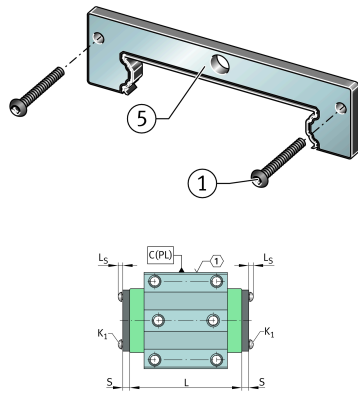


KIT.KWVE35-W-370 [↗](#)
 Accessory kit
 Sealing and lubrication elements KIT for KUVE...-W

Technical information



Your current product variant

Size Code	35	
Design	W	Wide carriage
KIT-number	370	KIT end number

Main Dimensions & Performance Data

K 1	M4x25	Screw
L S	2,2 mm	Dimension screw
	S 3	Hexagon socket screw
S	4,5 mm	Dimension
≈m	0,012 kg	Weight

Degree of contamination

Yes	KIT suitable for very slight degree of contamination
Yes	KIT suitable for slight degree of contamination
Yes	KIT suitable for moderate degree of contamination
No	KIT suitable for heavy degree of contamination

Increase of displacement

Yes	Large increase in displacement force
-----	--------------------------------------