



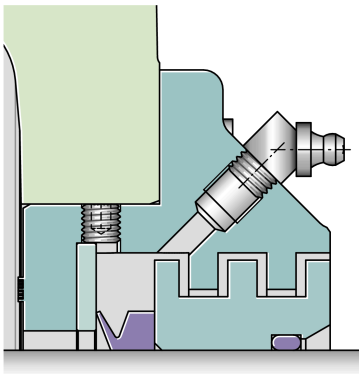
**FAG**

## BTAC34 [↗](#)

Sealing ring

Bolt-on seals BTAC, for SNS-housing,  
attached

### Technical information



#### Main Dimensions & Performance Data

d	153 mm	Shaft diameter
b	61,5 mm	Width
g	35 mm	Overhang outside
d <sub>a</sub>	265 mm	Outside diameter
d <sub>c</sub>	240 mm	Centering Diameter
≈m	8,1 kg	Weight