



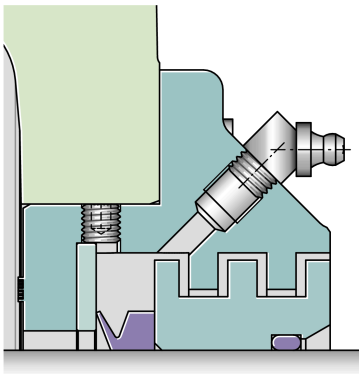
FAG

BTAC40 [↗](#)

Sealing ring

Bolt-on seals BTAC, for SNS-housing,
attached

Technical information



Main Dimensions & Performance Data

d	183 mm	Shaft diameter
b	63 mm	Width
g	35 mm	Overhang outside
d _a	310 mm	Outside diameter
d _c	286 mm	Centering Diameter
≈m	11,3 kg	Weight