



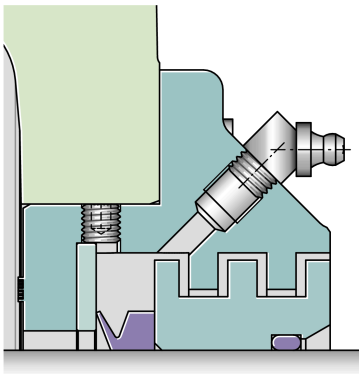
**FAG**

## BTAC48 [↗](#)

Sealing ring

Bolt-on seals BTAC, for SNS-housing,  
attached

### Technical information



#### Main Dimensions & Performance Data

d	224 mm	Shaft diameter
b	69 mm	Width
g	39 mm	Overhang outside
d <sub>a</sub>	360 mm	Outside diameter
d <sub>c</sub>	336 mm	Centering Diameter
≈m	15,8 kg	Weight