

**SL185052-TB-C3-2S**

## Cylindrical roller bearing

Cylindrical roller bearing SL1850..-TB, full complement roller set, two-row, semi-locating bearing, 1 rib on outer ring, 3 ribs on inner ring, type SL18

## Technical information

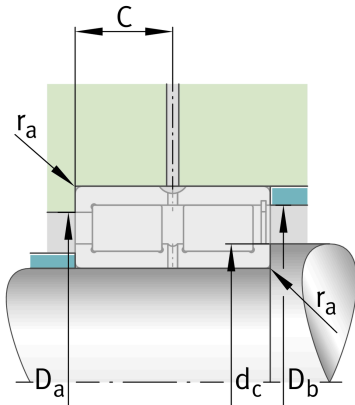


## Your current product variant

Design	TB	Bearings with increased axial load capacity
Radial internal clearance	C3 (Group 3)	Internal clearance larger than CN
Tolerance class	PN	Normal (ISO 492:2023)
Number of rows	2	Double-row design

## Main Dimensions &amp; Performance Data

d	260 mm	Bore diameter
D	400 mm	Outside diameter
B	190 mm	Width
$C_r$	2.750.000 N	Basic dynamic load rating, radial
$C_{0r}$	5.000.000 N	Basic static load rating, radial
$C_{ur}$	580.000 N	Fatigue load limit, radial
$n_G$	940 1/min	Limiting speed
$n_{gr}$	490 1/min	Reference speed
$\approx m$	79,5 kg	Weight





### Mounting dimensions

$d_{c \text{ min}}$	304 mm	Minimum shaft shoulder
$d_{a \text{ min}}$	304 mm	Minimum diameter shaft shoulder
$D_{a \text{ max}}$	360 mm	Maximum diameter of housing shoulder
$r_{a \text{ max}}$	4 mm	Maximum recess radius
$D_{e \text{ min}}$	358 mm	Minimum diameter of housing shoulder





### Dimensions

$r_{\text{min}}$	4 mm	Minimum chamfer dimension
$r_{1 \text{ min}}$	4 mm	Minimum chamfer dimension
s	11,3 mm	Axial displacement
C	95 mm	Distance to lubrication hole
$d_1$	304 mm	Maximum rib diameter inner ring
$D_1 \text{ min}$	358 mm	Minimum rib diameter outer ring
E	376 mm	Raceway diameter outer ring

### Temperature range

$T_{\text{min}}$	-30 °C	Operating temperature min.
$T_{\text{max}}$	120 °C	Operating temperature max.

### Characteristics

	Radial load
	Axial load in one direction
	Grease Lubrication
	Oil Lubrication
	Not sealed
	Large bearing