

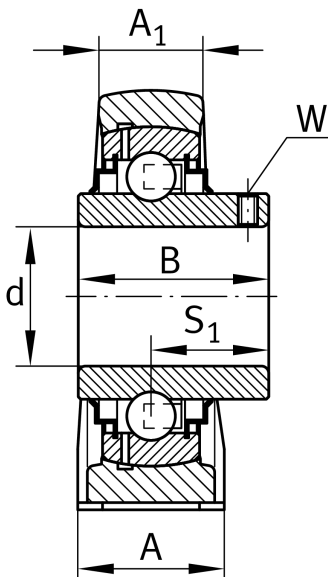
**RSHEY30-XL-N**

## Plummer block housing unit

Plummer block housing units RSHEY, cast iron housing, radial insert ball bearing with grub screws in inner ring, R seals

X-life

## Technical information



## Your current product variant

Groove	N	Cast iron housing with undercut slot for end caps
Material	GG	Grey cast iron

## Main Dimensions &amp; Performance Data

d	30 mm	Bore diameter
L	98 mm	Length total
H <sub>2</sub>	82 mm	Height
≈m	0,94 kg	Weight

## Mounting dimensions

J	76,2 mm	Distance fixing bore
K	M10	Thread fixing bore

## Dimensions

H	42,9 mm	Distance shaft axis
A	40 mm	Width (base)
A <sub>1</sub>	25 mm	Width (head)
Q	M6	Connection thread for lubrication
B	38,1 mm	Width of inner ring
S <sub>1</sub>	22,2 mm	Distance of raceway to locking collar



### Additional information

---

SHE06	Housing
GYE30-XL-KRR-B	Bearing designation
KASK06	Protecting cap

### Temperature range

---

T <sub>min</sub>	-20 °C	Operating temperature min.
T <sub>max</sub>	120 °C	Operating temperature max.