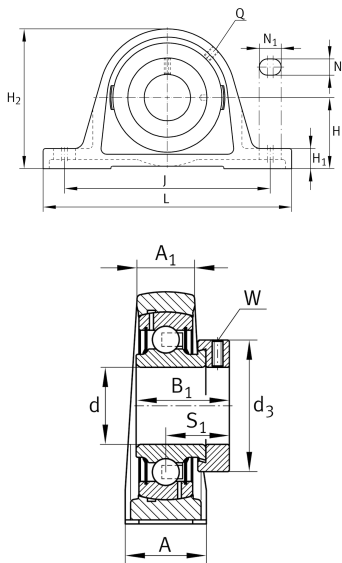


**PASE30-N-FA106** [↗](#)

Plummer block housing unit

Plummer block housing unit PASE...-N-FA106,  
RIBB cast iron ASE SAO AK

## Technical information

**Your current product variant**

Material	GG	Grey cast iron
Groove	N	Cast iron housing with undercut slot for end caps
Manufacturing instruction	FA106	Bearing subjected to special noise testing

**Main Dimensions & Performance Data**

d	30 mm	Bore diameter
L	158 mm	Length total
H <sub>2</sub>	82 mm	Height
C <sub>r</sub>	19.500 N	Basic dynamic load rating, radial
C <sub>0r</sub>	11.300 N	Basic static load rating, radial
≈m	1,04 kg	Weight

**Mounting dimensions**

J	117,5 mm	Distance fixing bore
N	14 mm	Width (slot)
N <sub>1</sub>	22 mm	Length (slot)



### Dimensions

H	42,9 mm	Distance shaft axis
A	40 mm	Width (base)
A <sub>1</sub>	25 mm	Width (head)
H <sub>1</sub>	17 mm	Height (base)
B <sub>1</sub>	35,8 mm	Locking collar total width
S <sub>1</sub>	26,8 mm	Distance of raceway to locking collar
Q	M6	Connection thread for lubrication

### Additional information

GEHASE06-GG-N	Housing
GRAE30-NPP-B-FA106	Bearing designation

### Temperature range

T <sub>min</sub>	-20 °C	Operating temperature min.
T <sub>max</sub>	120 °C	Operating temperature max.