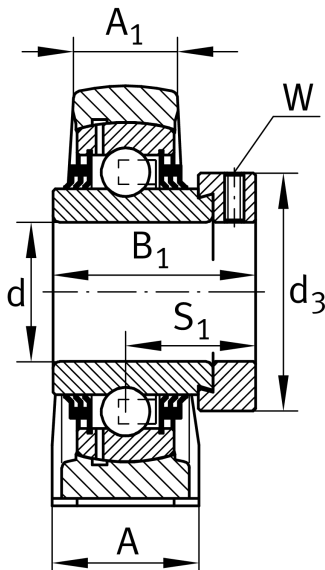
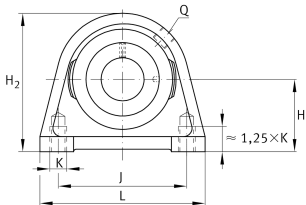
**TSHE30-XL-N**

## Plummer block housing unit

Plummer block housing units TSHE, cast iron housing, radial insert ball bearing with eccentric locking collar, T seals

X-life

## Technical information



## Your current product variant

|          |    |   |
|----------|----|---|
| Groove   | N  | Cast iron housing with undercut slot for end caps |
| Material | GG | Grey cast iron                                    |

## Main Dimensions &amp; Performance Data

|                |         |               |
|----------------|---------|---------------|
| d              | 30 mm   | Bore diameter |
| L              | 98 mm   | Length total  |
| H <sub>2</sub> | 82 mm   | Height        |
| ≈m             | 0,99 kg | Weight        |

## Mounting dimensions

|   |         |                      |
|---|---------|----------------------|
| J | 76,2 mm | Distance fixing bore |
| K | M10     | Thread fixing bore   |

## Dimensions

|                |         |                                       |
|----------------|---------|---------------------------------------|
| H              | 42,9 mm | Distance shaft axis                   |
| A              | 40 mm   | Width (base)                          |
| A <sub>1</sub> | 25 mm   | Width (head)                          |
| Q              | M6      | Connection thread for lubrication     |
| S <sub>1</sub> | 30,2 mm | Distance of raceway to locking collar |



### Additional information

|               |                     |
|---------------|---------------------|
| SHE06         | Housing             |
| GE30-XL-KTT-B | Bearing designation |
| KASK06        | Protecting cap      |

### Temperature range

|                  |        |                            |
|------------------|--------|----------------------------|
| T <sub>min</sub> | -20 °C | Operating temperature min. |
| T <sub>max</sub> | 120 °C | Operating temperature max. |