

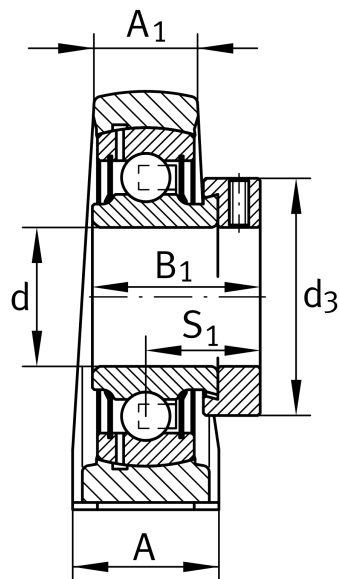
**PASE30-XL-N-FA125** [↗](#)

## Plummer block housing unit

Plummer block housing units PASE...-FA125, cast iron housing, radial insert ball bearing with eccentric locking collar, P seals, with anti-corrosion protection

X-life

## Technical information



## Your current product variant

|                           |       |   |
|---------------------------|-------|---|
| Material                  | GG    | Grey cast iron                                    |
| Groove                    | N     | Cast iron housing with undercut slot for end caps |
| Manufacturing instruction | FA125 | Unit with Corrotect coating, corrosion-resistant  |

## Main Dimensions &amp; Performance Data

|                |         |               |
|----------------|---------|---------------|
| d              | 30 mm   | Bore diameter |
| L              | 158 mm  | Length total  |
| H <sub>2</sub> | 82 mm   | Height        |
| ≈m             | 1,12 kg | Weight        |

## Mounting dimensions

|                |          |                      |
|----------------|----------|----------------------|
| J              | 117,5 mm | Distance fixing bore |
| N              | 14 mm    | Width (slot)         |
| N <sub>1</sub> | 22 mm    | Length (slot)        |



### Dimensions

|                |         |                                       |
|----------------|---------|---------------------------------------|
| H              | 42,9 mm | Distance shaft axis                   |
| A              | 40 mm   | Width (base)                          |
| A <sub>1</sub> | 25 mm   | Width (head)                          |
| H <sub>1</sub> | 17 mm   | Height (base)                         |
| B <sub>1</sub> | 35,8 mm | Locking collar total width            |
| S <sub>1</sub> | 26,8 mm | Distance of raceway to locking collar |
| Q              | M6      | Connection thread for lubrication     |

### Additional information

|                       |                     |
|-----------------------|---------------------|
| ASE06-FA125           | Housing             |
| GRAE30-XL-NPP-B-FA125 | Bearing designation |
| KASK06                | Protecting cap      |

### Temperature range

|                  |        |                            |
|------------------|--------|----------------------------|
| T <sub>min</sub> | -20 °C | Operating temperature min. |
| T <sub>max</sub> | 120 °C | Operating temperature max. |