

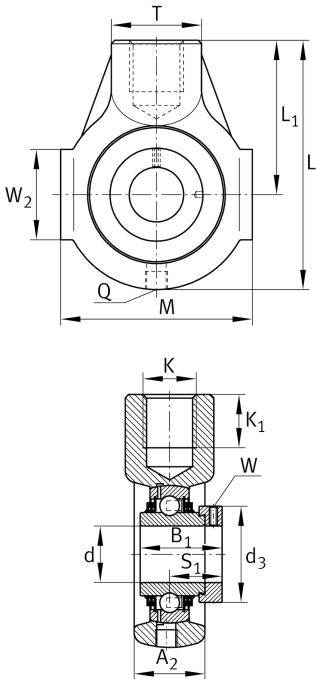
**THE30-XL**

## Take-up housing unit

Take-up housing units THE, cast iron housing, radial insert ball bearing with eccentric locking collar, T seals

X-life

## Technical information



## Your current product variant

Material	GG	Grey cast iron
----------	----	----------------

## Main Dimensions &amp; Performance Data

d	30 mm	Bore diameter
L	114 mm	Length total
M	85 mm	Housing total width
A <sub>2</sub>	32 mm	Width housing
m	1,17 kg	Weight

## Mounting dimensions

K	M24	Thread fixing bore
K <sub>1</sub>	24 mm	Thread depth

## Dimensions

L <sub>1</sub>	72 mm	Distance shaft axis
T	40 mm	Height housing fixing side
W <sub>2</sub>	40 mm	Length of guidance face
Q	M6	Connection thread for lubrication



View product details on medias

10.07.2026, 10:57:02 UTC

SCHAEFFLER

### Additional information

HE06	Housing
GE30-XL-KTT-B	Bearing designation

### Temperature range

T <sub>min</sub>	-20 °C	Operating temperature min.
T <sub>max</sub>	120 °C	Operating temperature max.