

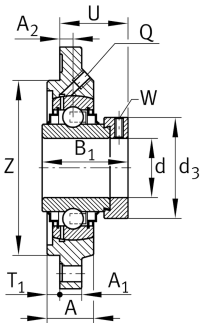
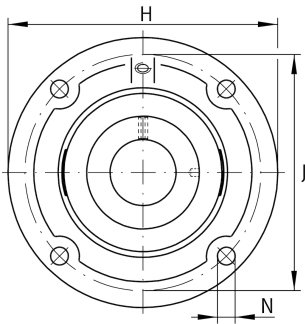
**RFE40-XL**

## Flanged housing unit

Housing units RFE, four-bolt flanged housing units, cast iron, centring spigot, eccentric locking collar, R seals

X-life

## Technical information



## Your current product variant

Material	GG	Grey cast iron
----------	----	----------------

## Main Dimensions &amp; Performance Data

d	40 mm	Bore diameter
H	145 mm	Height flange
H	145 mm	Flange width
U	46,4 mm	Total height unit
C <sub>r</sub>	34.500 N	Basic dynamic load rating, radial
C <sub>0r</sub>	19.800 N	Basic static load rating, radial
C <sub>ur</sub>	840 N	Fatigue load limit, radial
≈m	1,69 kg	Weight

## Mounting dimensions

J	120 mm	Distance fixing bore
J	120 mm	Pitch circle diameter (holes)
N	11,5 mm	Fixing bore
T <sub>1</sub>	4 mm	Height spigot
Z	100 mm	Diameter spigot
	h8	Diameter spigot clearance
n	4	Number of screwing holes



### Dimensions

A	26 mm	Height housing
A <sub>1</sub>	11,5 mm	Thickness of flange
A <sub>2</sub>	11,5 mm	Distance raceway
B <sub>1</sub>	56,5 mm	Locking collar total width
Q	M6	Connection thread for lubrication

### Additional information

1	Number of housings
FE08	Housing
GE40-XL-KRR-B	Bearing designation

### Temperature range

T <sub>min</sub>	-20 °C	Operating temperature min.
T <sub>max</sub>	120 °C	Operating temperature max.