

**RASE30-XL-FA164** [↗](#)

Plummer block housing unit

Plummer block housing unit RASE..-XL-FA164, RIBB cast iron ASE SAO AK

X-life

## Technical information



## Your current product variant

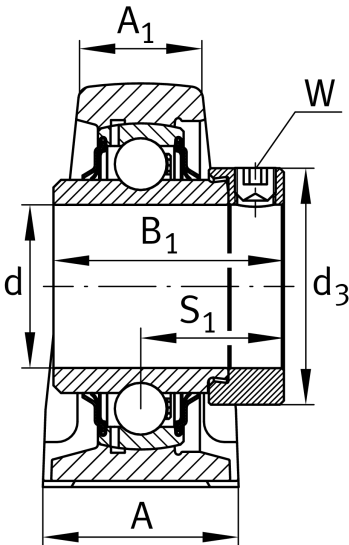
Material	GG	Grey cast iron
Manufacturing instruction	FA164	High temperature design up to +250°C

## Main Dimensions &amp; Performance Data

d	30 mm	Bore diameter
L	158 mm	Length total
H <sub>2</sub>	82 mm	Height
≈m	1,224 kg	Weight

## Mounting dimensions

J	117,5 mm	Distance fixing bore
N	14 mm	Width (slot)
N <sub>1</sub>	22 mm	Length (slot)





### Dimensions

H	42,9 mm	Distance shaft axis
A	40 mm	Width (base)
A <sub>1</sub>	25 mm	Width (head)
H <sub>1</sub>	17 mm	Height (base)
B <sub>1</sub>	48,5 mm	Locking collar total width
S <sub>1</sub>	30,2 mm	Distance of raceway to locking collar
Q	M6	Connection thread for lubrication

### Additional information

ASE06-FA125	Housing
GE30-XL-KRR-B-FA164	Bearing designation
KASK06-J	Protecting cap

### Temperature range

T <sub>min</sub>	150 °C	Operating temperature min.
T <sub>max</sub>	250 °C	Operating temperature max.