

**LASE35-XL-N**

Plummer block housing unit

Plummer block housing units LASE, cast iron housing, radial insert ball bearing with eccentric locking collar, L seals

X-life

Technical information



Your current product variant

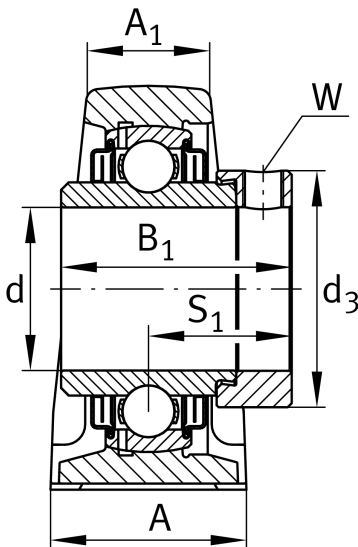
Material	GG	Grey cast iron
Groove	N	Cast iron housing with undercut slot for end caps

Main Dimensions & Performance Data

d	35 mm	Bore diameter
L	163 mm	Length total
H ₂	93 mm	Height
≈m	1,649 kg	Weight

Mounting dimensions

J	126 mm	Distance fixing bore
N	14 mm	Width (slot)
N ₁	21 mm	Length (slot)





Dimensions

H	47,6 mm	Distance shaft axis
A	45 mm	Width (base)
A ₁	27 mm	Width (head)
H ₁	19 mm	Height (base)
B ₁	51,3 mm	Locking collar total width
S ₁	32,5 mm	Distance of raceway to locking collar
Q	M6	Connection thread for lubrication

Additional information

GEHASE07-GG-N-FA125.1	Housing
GE35-XL-KLL-B	Bearing designation
KASK07	Protecting cap

Temperature range

T _{min}	-40 °C	Operating temperature min.
T _{max}	180 °C	Operating temperature max.