



FAG

BND2220-Z-T-AL-D

Housing body

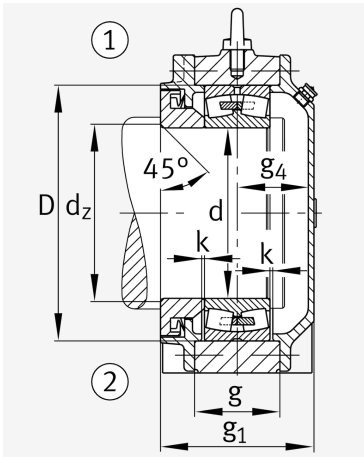
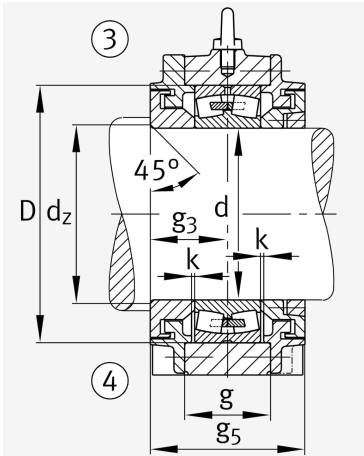
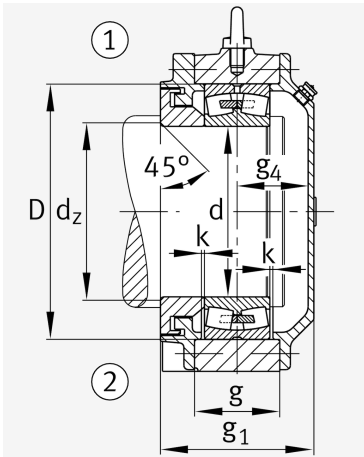
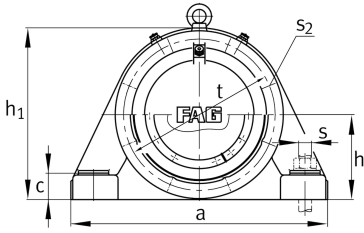
for bearings with cylindrical bore, BND

Technical information

Main Dimensions & Performance Data



d 1	100 mm	Shaft diameter
a	400 mm	Length base
h 1	255 mm	Total height
g 1	141 mm	Total width with lid g1
g 5	156 mm	Total width with lid g5
≈m	25,7 kg	Weight



Dimensions

	45 °	Chamfer angle
b	120 mm	Width base
c	40 mm	Height base foot
D	180 mm	Outside Diameter
d _c	108 mm	Chamfer diameter c
g	65 mm	Width housing body
g ₃	78 mm	Locking collar width g3
g ₄	57 mm	Locking collar width g4
h	130 mm	Distance shaft axis
k	2,5 mm	Axial displacement
m	320 mm	Distance fixing bore
n	65 mm	Bore distance width
s	M24	Size of fixing screws
s ₂	M8	Thread fixing bore
s ₂	6	Number of screwing holes
t	205 mm	Pitch circle dia fixing holes
u	30 mm	Width oblong holes
v	35 mm	Lenght oblong hole

Additional information

	22220	Bearing designation
--	-------	---------------------

Temperature range

T _{min}	-20 °C	Operating temperature min.
T _{max}	100 °C	Operating temperature max.



View product details on medias

05.05.2026, 22:13:07 UTC

SCHAEFFLER

