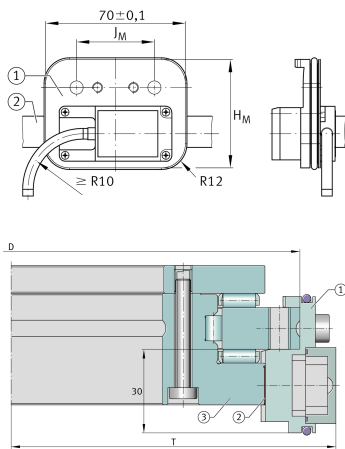


**FAG****MHA325-0-2-3-4-N-1302-01,0M-8-1-A** [↗](#)

sensing head

Measuring heads, for radial screw mounting

Technical information

**Your current product variant**

Cable length 1 m

Digital Output

	Drive CLIQ (DQ)	Electronic interface
≈m	136,28 g	Weight

Main Dimensions & Performance Data

D	450 mm	Diameter bearing outer ring
H _M	54 mm	Height

Mounting dimensions

J _M	39 mm	Bore distance
T	238,2 mm	Distance bearing center measuring head

Additional information

5 Nm	Tightening torque
0,5 Nm	Tightening torque upper tolerance
-0,5 Nm	Tightening torque lower tolerance
2x ISO4762-M6x20-8.8	Cylinder head screws



View product details on medias

20.04.2026, 10:59:32 UTC

SCHAEFFLER

Cable

M12x1	Thread plug connector
8	Pins plug connector