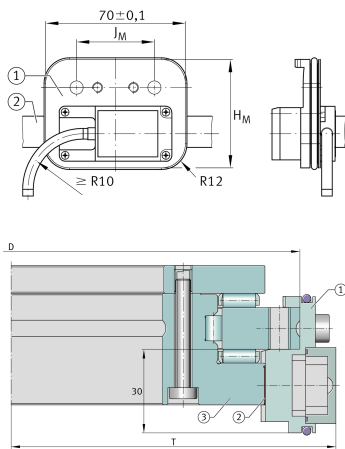


**MHI395-0-1-1-1-1530-01,0M-1-1-A** [↗](#)

angle measuring system

Measuring heads, for radial screw mounting

Technical information

**Your current product variant**

Cable length 1 m

Digital Output

	SIN COS 1Vpp + reference signal	Electronic interface
≈m	250 g	Weight

Main Dimensions & Performance Data

D	525 mm	Diameter bearing outer ring
H _M	54 mm	Height

Mounting dimensions

J _M	34 mm	Bore distance
T	275,7 mm	Distance bearing center measuring head

Additional information

2x ISO4762- M6x20-8.8	Cap Head Screws Sensor
5 Nm	Tightening torque
0,5 Nm	Tightening torque upper tolerance
-0,5 Nm	Tightening torque lower tolerance



View product details on medias

06.06.2026, 16:40:40 UTC

SCHAEFFLER

Cable

M23x1	Thread plug connector
12	Pins plug connector