

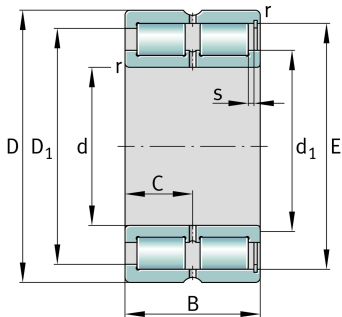
**SL185010-XL**

Cylindrical roller bearing

Cylindrical roller bearing SL1850..-A-XL ,full complement roller set, two-row, semi-locating bearing, 1 rib on outer ring, 3 ribs on inner ring, type SL18

X-life

Technical information

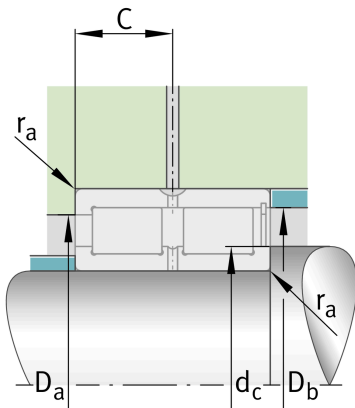


Your current product variant

Design	A	Internal Variant A
Radial internal clearance	CN (Group N)	Normal internal clearance
Tolerance class	PN	Normal (ISO 492:2023)
Number of rows	2	Double-row design

Main Dimensions & Performance Data

d	50 mm	Bore diameter
D	80 mm	Outside diameter
B	40 mm	Width
C_r	151.000 N	Basic dynamic load rating, radial
C_{0r}	188.000 N	Basic static load rating, radial
C_{ur}	30.500 N	Fatigue load limit, radial
n_G	5.300 1/min	Limiting speed
n_{gr}	3.450 1/min	Reference speed
$\approx m$	0,76 kg	Weight





Mounting dimensions

$d_{c \min}$	59 mm	Minimum shaft shoulder
$d_{a \min}$	59,1 mm	Minimum diameter shaft shoulder
$D_{a \max}$	68 mm	Maximum diameter of housing shoulder
$r_{a \max}$	1 mm	Maximum recess radius
$D_{e \min}$	67,6 mm	Minimum diameter of housing shoulder

Dimensions

r_{\min}	1 mm	Minimum chamfer dimension
$r_{1 \min}$	2 mm	Minimum chamfer dimension
s	1,5 mm	Axial displacement
C	20 mm	Distance to lubrication hole
d_1	59,1 mm	Maximum rib diameter inner ring
$D_1 \min$	67,6 mm	Minimum rib diameter outer ring
E	72,3 mm	Raceway diameter outer ring

Temperature range

T_{\min}	-30 °C	Operating temperature min.
T_{\max}	120 °C	Operating temperature max.

Characteristics

	Radial load
	Axial load in one direction
	Grease Lubrication
	Oil Lubrication
	Not sealed