



FAG

BND3028-Z-Y-AL-D

Housing body

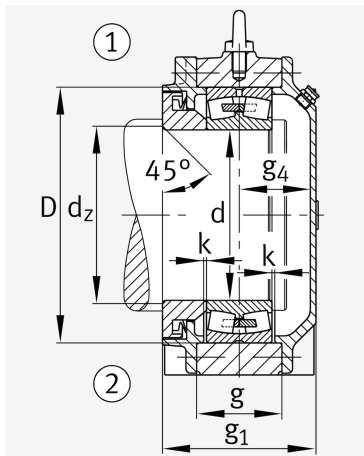
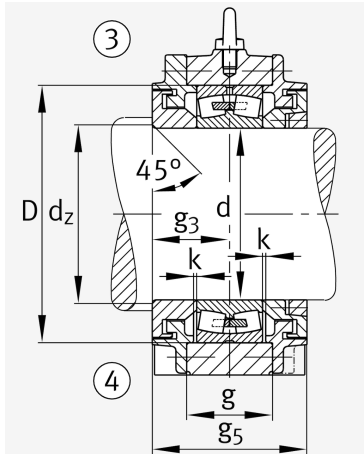
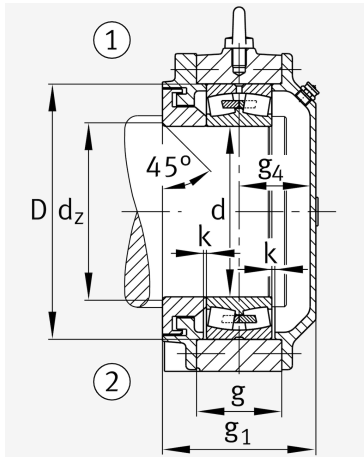
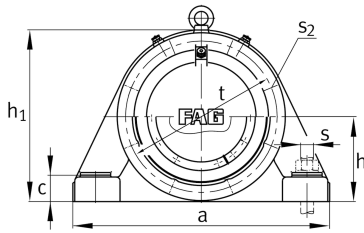
for bearings with cylindrical bore, BND

Technical information

Main Dimensions & Performance Data



d 1	140 mm	Shaft diameter
a	430 mm	Length base
h 1	275 mm	Total height
g 1	136 mm	Total width with lid g1
g 5	136 mm	Total width with lid g5
≈m	33 kg	Weight



Dimensions

	45 °	Chamfer angle
b	130 mm	Width base
c	40 mm	Height base foot
D	210 mm	Outside Diameter
d _c	148 mm	Chamfer diameter c
g	70 mm	Width housing body
g ₃	68 mm	Locking collar width g3
g ₄	61 mm	Locking collar width g4
h	140 mm	Distance shaft axis
k	3 mm	Axial displacement
m	360 mm	Distance fixing bore
n	70 mm	Bore distance width
s	M24	Size of fixing screws
s ₂	M10	Thread fixing bore
s ₂	8	Number of screwing holes
t	240 mm	Pitch circle dia fixing holes
u	30 mm	Width oblong holes
v	35 mm	Lenght oblong hole

Additional information

	23028	Bearing designation
--	-------	---------------------

Temperature range

T _{min}	-20 °C	Operating temperature min.
T _{max}	100 °C	Operating temperature max.



View product details on medias

28.06.2026, 01:10:51 UTC

SCHAEFFLER

