

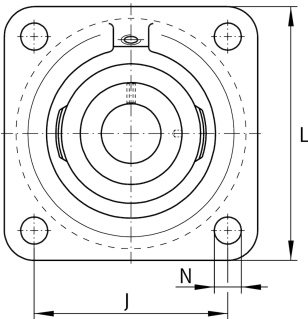
**RCJ90-XL**

## Flanged housing unit

Housing units RCJ, four-bolt flanged housing units, cast iron, eccentric locking collar, R seals

X-life

## Technical information



## Your current product variant

Material	GG	Grey cast iron
----------	----	----------------

## Main Dimensions &amp; Performance Data

d	90 mm	Bore diameter
L	235 mm	Flange width
U	70,3 mm	Total height unit
C <sub>r</sub>	109.000 N	Basic dynamic load rating, radial
C <sub>0r</sub>	79.000 N	Basic static load rating, radial
C <sub>ur</sub>	3.650 N	Fatigue load limit, radial
≈m	8,88 kg	Weight

## Mounting dimensions

J	187 mm	Distance fixing bore
N	23 mm	Fixing bore
n	4	Number of screwing holes



### Dimensions

A	39,8 mm	Height housing
A <sub>1</sub>	22 mm	Thickness of flange
A <sub>2</sub>	23,8 mm	Distance raceway
V	200 mm	Shoulder diameter housing
Q	M6	Connection thread for lubrication
d <sub>3</sub>	118 mm	Outside diameter locking device

### Additional information

1	Number of housings
CJ18	Housing
GE90-XL-KRR-B	Bearing designation

### Temperature range

T <sub>min</sub>	-20 °C	Operating temperature min.
T <sub>max</sub>	120 °C	Operating temperature max.