

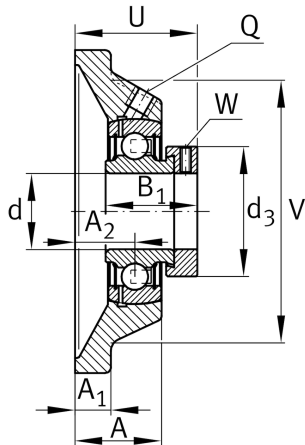
**PCJ45-XL-FA125**

Flanged housing unit

Housing units PCJ...-FA125, four-bolt flanged housing units, cast iron, eccentric locking collar, P seals, with anti-corrosion protection

X-life

Technical information



Your current product variant

Material	GG	Grey cast iron
Manufacturing instruction	FA125	Unit with Corrotect coating, corrosion-resistant

Main Dimensions & Performance Data

d	45 mm	Bore diameter
L	137 mm	Flange width
U	56,7 mm	Total height unit
C_r	34.500 N	Basic dynamic load rating, radial
C_{0r}	20.400 N	Basic static load rating, radial
C_{ur}	970 N	Fatigue load limit, radial
m	2,22 kg	Weight

Mounting dimensions

J	105 mm	Distance fixing bore
N	14 mm	Fixing bore
W	5 mm	Width across flats
n	4	Number of screwing holes



Dimensions

A	35 mm	Height housing
A ₁	13 mm	Thickness of flange
A ₂	24 mm	Distance raceway
B ₁	43,8 mm	Locking collar total width
V	116 mm	Shoulder diameter housing
Q	M6	Connection thread for lubrication
d ₃	63 mm	Outside diameter locking device

Additional information

1	Number of housings
CJ09	Housing
GRAE45-XL-NPP-B-FA125	Bearing designation

Temperature range

T _{min}	-20 °C	Operating temperature min.
T _{max}	120 °C	Operating temperature max.