

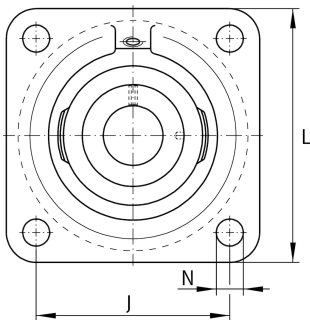
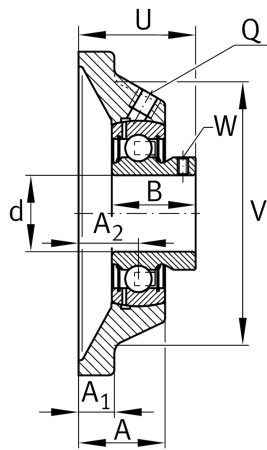
**PCJY60-XL-N**

## Flanged housing unit

Housing units PCJY, four-bolt flanged housing units, cast iron, grub screws in inner ring, P seals

X-life

## Technical information

**Your current product variant**

Groove	N	Cast iron housing with undercut slot for end caps
Material	GG	Grey cast iron

**Main Dimensions & Performance Data**

d	60 mm	Bore diameter
L	175 mm	Flange width
U	68 mm	Total height unit
C <sub>r</sub>	56.000 N	Basic dynamic load rating, radial
C <sub>0r</sub>	36.000 N	Basic static load rating, radial
C <sub>ur</sub>	1.530 N	Fatigue load limit, radial
m	3,629 kg	Weight

**Mounting dimensions**

J	143 mm	Distance fixing bore
N	18 mm	Fixing bore
n	4	Number of screwing holes



### Dimensions

A	47,5 mm	Height housing
A <sub>1</sub>	16 mm	Thickness of flange
A <sub>2</sub>	34 mm	Distance raceway
B	47 mm	Width
V	150 mm	Shoulder diameter housing
Q	M6	Connection thread for lubrication

### Additional information

1	Number of housings
CJ12	Housing
GAY60-XL-NPP-B	Bearing designation
KASK12	Protecting cap

### Temperature range

T <sub>min</sub>	-20 °C	Operating temperature min.
T <sub>max</sub>	120 °C	Operating temperature max.