

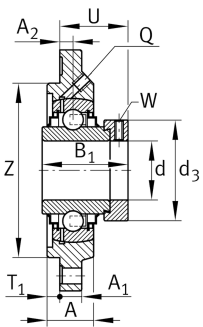
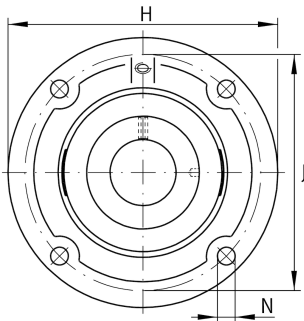
**RFE60-XL**

Flanged housing unit

Housing units RFE, four-bolt flanged housing units, cast iron, centring spigot, eccentric locking collar, R seals

X-life

Technical information



Your current product variant

Material	GG	Grey cast iron
----------	----	----------------

Main Dimensions & Performance Data

d	60 mm	Bore diameter
H	195 mm	Height flange
H	195 mm	Flange width
U	63,9 mm	Total height unit
C _r	56.000 N	Basic dynamic load rating, radial
C _{0r}	36.000 N	Basic static load rating, radial
C _{ur}	1.710 N	Fatigue load limit, radial
≈m	4,119 kg	Weight

Mounting dimensions

J	165 mm	Distance fixing bore
J	165 mm	Pitch circle diameter (holes)
N	14 mm	Fixing bore
T ₁	4 mm	Height spigot
Z	140 mm	Diameter spigot
	h8	Diameter spigot clearance
W	5 mm	Width across flats
n	4	Number of screwing holes



Dimensions

A	33 mm	Height housing
A ₁	16 mm	Thickness of flange
A ₂	17 mm	Distance raceway
B ₁	77,9 mm	Locking collar total width
Q	M6	Connection thread for lubrication
d ₃	84 mm	Outer diameter locking collar

Additional information

1	Number of housings
GEHFE12-GG	Housing
GE60-XL-KRR-B	Bearing designation

Temperature range

T _{min}	-20 °C	Operating temperature min.
T _{max}	120 °C	Operating temperature max.