

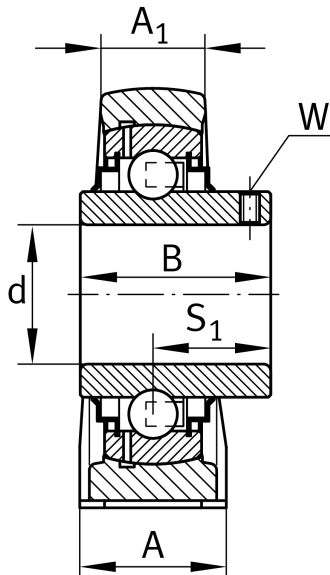
**RASEY65-214-XL**

Plummer block housing unit

Plummer block housing units RASEY, cast iron housing, radial insert ball bearing with grub screws in inner ring, R seals

X-life

Technical information

**Your current product variant**

Deviating ballset	214	Deviating ballset 214
Material	GG	Grey cast iron

Main Dimensions & Performance Data

d	65 mm	Bore diameter
L	260 mm	Length total
H ₂	156 mm	Height
≈m	6,33 kg	Weight

Mounting dimensions

J	202,5 mm	Distance fixing bore
N	22 mm	Width (slot)
N ₁	28 mm	Length (slot)



Dimensions

H	79,4 mm	Distance shaft axis
A	65 mm	Width (base)
A ₁	44 mm	Width (head)
H ₁	27,5 mm	Height (base)
B	74,6 mm	Width
S ₁	44,4 mm	Distance of raceway to locking collar
Q	M6	Connection thread for lubrication

Additional information

ASE14	Housing
GYE65-214-XL-KRR-B	Bearing designation

Temperature range

T _{min}	-20 °C	Operating temperature min.
T _{max}	120 °C	Operating temperature max.