

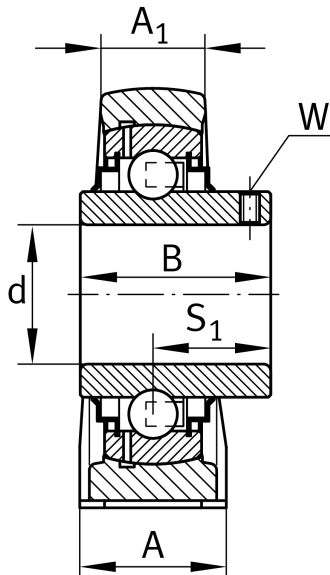
**RASEY60-XL-N** [↗](#)

## Plummer block housing unit

Plummer block housing units RASEY, cast iron housing, radial insert ball bearing with grub screws in inner ring, R seals

X-life

## Technical information



## Your current product variant

|          |    |   |
|----------|----|---|
| Material | GG | Grey cast iron                                    |
| Groove   | N  | Cast iron housing with undercut slot for end caps |

## Main Dimensions &amp; Performance Data

|                |         |               |
|----------------|---------|---------------|
| d              | 60 mm   | Bore diameter |
| L              | 240 mm  | Length total  |
| H <sub>2</sub> | 140 mm  | Height        |
| ≈m             | 4,42 kg | Weight        |

## Mounting dimensions

|                |        |                      |
|----------------|--------|----------------------|
| J              | 190 mm | Distance fixing bore |
| N              | 18 mm  | Width (slot)         |
| N <sub>1</sub> | 28 mm  | Length (slot)        |



### Dimensions

|                |         |                                       |
|----------------|---------|---------------------------------------|
| H              | 69,9 mm | Distance shaft axis                   |
| A              | 60 mm   | Width (base)                          |
| A <sub>1</sub> | 42 mm   | Width (head)                          |
| H <sub>1</sub> | 25 mm   | Height (base)                         |
| B              | 65,1 mm | Width                                 |
| S <sub>1</sub> | 39,7 mm | Distance of raceway to locking collar |
| Q              | M6      | Connection thread for lubrication     |

### Additional information

|                |                     |
|----------------|---------------------|
| ASE12          | Housing             |
| GYE60-XL-KRR-B | Bearing designation |
| KASK12         | Protecting cap      |

### Temperature range

|                  |        |                            |
|------------------|--------|----------------------------|
| T <sub>min</sub> | -20 °C | Operating temperature min. |
| T <sub>max</sub> | 120 °C | Operating temperature max. |