

**RASE50-XL-FA164** [↗](#)

Plummer block housing unit

Plummer block housing unit RASE..-XL-FA164, RIBB cast iron ASE SAO AK

X-life

Technical information



Your current product variant

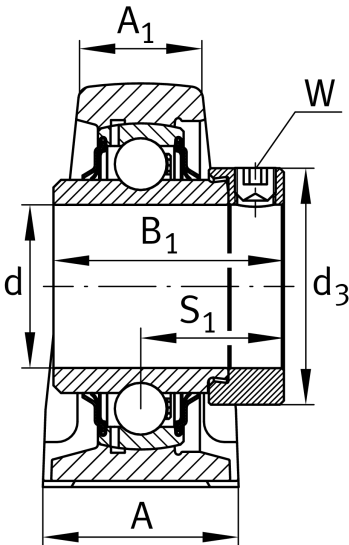
Material	GG	Grey cast iron
Manufacturing instruction	FA164	High temperature design up to +250°C

Main Dimensions & Performance Data

d	50 mm	Bore diameter
L	200 mm	Length total
H ₂	115 mm	Height
≈m	2,86 kg	Weight

Mounting dimensions

J	158 mm	Distance fixing bore
N	18 mm	Width (slot)
N ₁	23 mm	Length (slot)





Dimensions

H	57,2 mm	Distance shaft axis
A	54 mm	Width (base)
A ₁	34 mm	Width (head)
H ₁	21,5 mm	Height (base)
B ₁	62,8 mm	Locking collar total width
S ₁	38,2 mm	Distance of raceway to locking collar
Q	M6	Connection thread for lubrication

Additional information

ASE10-FA125	Housing
GE50-XL-KRR-B-FA164	Bearing designation
KASK10-J	Protecting cap

Temperature range

T _{min}	150 °C	Operating temperature min.
T _{max}	250 °C	Operating temperature max.