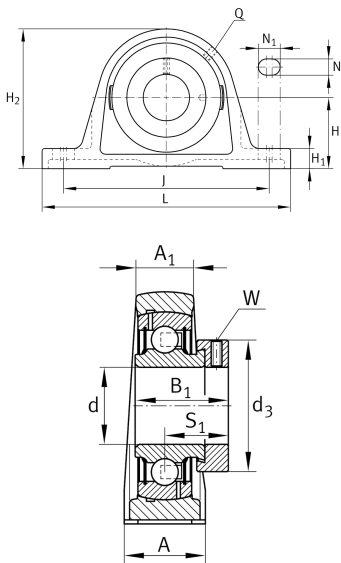


**PASE60-N-FA106**

Plummer block housing unit

Plummer block housing unit PASE...-N-FA106,
RIBB cast iron ASE SAO AK

Technical information

**Your current product variant**

Material	GG	Grey cast iron
Groove	N	Cast iron housing with undercut slot for end caps
Manufacturing instruction	FA106	Bearing subjected to special noise testing

Main Dimensions & Performance Data

d	60 mm	Bore diameter
L	240 mm	Length total
H ₂	140 mm	Height
≈m	4,36 kg	Weight

Mounting dimensions

J	190 mm	Distance fixing bore
N	18 mm	Width (slot)
N ₁	28 mm	Length (slot)

Dimensions

H	69,9 mm	Distance shaft axis
A	60 mm	Width (base)
A ₁	42 mm	Width (head)
H ₁	25 mm	Height (base)
Q	M6	Connection thread for lubrication



View product details on medias

21.04.2026, 08:32:58 UTC

SCHAEFFLER

Additional information

GEHASE12-GG-N

Housing

GRAE60-NPP-B-
FA106

Bearing designation

KASK12

Protecting cap