

**RASE70-XL-FA164** [↗](#)

Plummer block housing unit

Plummer block housing unit RASE..-XL-FA164, RIBB cast iron ASE SAO AK

X-life

## Technical information



## Your current product variant

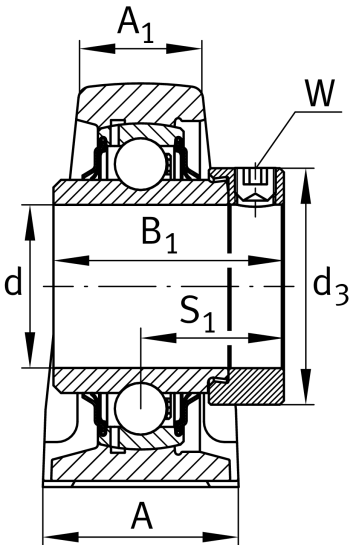
Material	GG	Grey cast iron
Manufacturing instruction	FA164	High temperature design up to +250°C

## Main Dimensions &amp; Performance Data

d	70 mm	Bore diameter
L	260 mm	Length total
H <sub>2</sub>	156 mm	Height
≈m	6,02 kg	Weight

## Mounting dimensions

J	202,5 mm	Distance fixing bore
N	22 mm	Width (slot)
N <sub>1</sub>	28 mm	Length (slot)





### Dimensions

H	79,4 mm	Distance shaft axis
A	65 mm	Width (base)
A <sub>1</sub>	44 mm	Width (head)
H <sub>1</sub>	27,5 mm	Height (base)
B <sub>1</sub>	66 mm	Locking collar total width
S <sub>1</sub>	44,6 mm	Distance of raceway to locking collar
Q	M6	Connection thread for lubrication

### Additional information

GEHASE14-GG-FA125.1	Housing
GE70-XL-KRR-B-FA164	Bearing designation

### Temperature range

T <sub>min</sub>	150 °C	Operating temperature min.
T <sub>max</sub>	250 °C	Operating temperature max.