

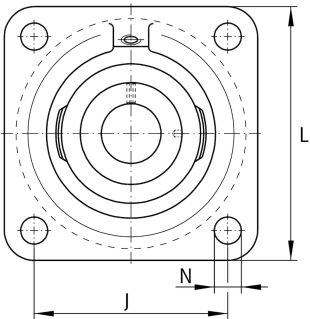
**RCJ70-XL-FA164**

Flanged housing unit

Housing units RCJ...FA164, four-bolt flanged housing units, cast iron, eccentric locking collar, R seals, for temperatures up to +250°C

X-life

Technical information

**Your current product variant**

Material	GG	Grey cast iron
Manufacturing instruction	FA164	High temperature design up to +250°C

Main Dimensions & Performance Data

d	70 mm	Bore diameter
L	188 mm	Flange width
U	82,5 mm	Total height unit
C _r	66.000 N	Basic dynamic load rating, radial
C _{0r}	44.000 N	Basic static load rating, radial
≈m	5,44 kg	Weight

Mounting dimensions

J	150 mm	Distance fixing bore
N	18 mm	Fixing bore
W	6 mm	Width across flats
n	4	Number of screwing holes



Dimensions

A	52 mm	Height housing
A ₁	18 mm	Thickness of flange
A ₂	38 mm	Distance raceway
B ₁	66 mm	Locking collar total width
Q	M6	Connection thread for lubrication
d ₃	96 mm	Outside diameter locking device

Additional information

1		Number of housings
GEHCJ14-GG-FA125.1		Housing
GE70-XL-KRR-B-FA164		Bearing designation

Temperature range

T _{min}	150 °C	Operating temperature min.
T _{max}	250 °C	Operating temperature max.