

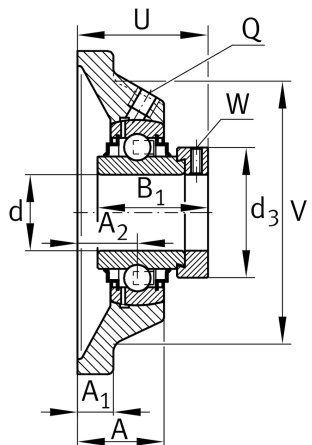
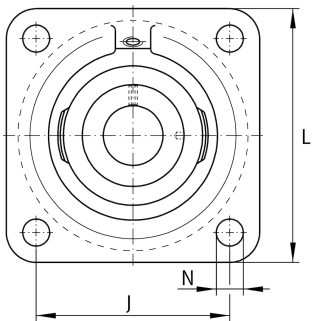
**RCJ60-XL-FA164**

Flanged housing unit

Housing units RCJ...FA164, four-bolt flanged housing units, cast iron, eccentric locking collar, R seals, for temperatures up to +250°C

X-life

Technical information

**Your current product variant**

Material	GG	Grey cast iron
Manufacturing instruction	FA164	High temperature design up to +250°C

Main Dimensions & Performance Data

d	60 mm	Bore diameter
L	175 mm	Flange width
U	80,9 mm	Total height unit
C _r	56.000 N	Basic dynamic load rating, radial
C _{0r}	36.000 N	Basic static load rating, radial
C _{ur}	1.710 N	Fatigue load limit, radial
≈m	4,3 kg	Weight

Mounting dimensions

J	143 mm	Distance fixing bore
N	18 mm	Fixing bore
W	5 mm	Width across flats
n	4	Number of screwing holes



Dimensions

A	47,5 mm	Height housing
A ₁	16 mm	Thickness of flange
A ₂	34 mm	Distance raceway
B ₁	77,9 mm	Locking collar total width
V	150 mm	Shoulder diameter housing
Q	M6	Connection thread for lubrication
d ₃	84 mm	Outside diameter locking device

Additional information

GEHCJ12-GG-N-FA125.1	Housing
GE60-XL-KRR-B-FA164	Bearing designation

Temperature range

T _{min}	150 °C	Operating temperature min.
T _{max}	250 °C	Operating temperature max.