

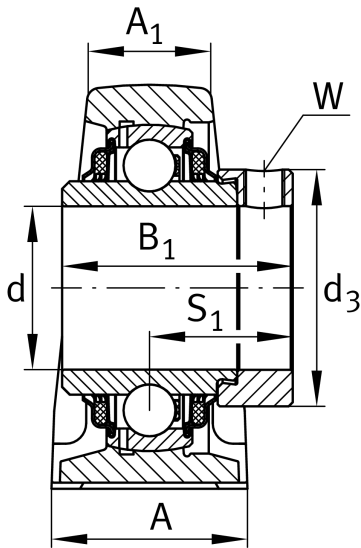
**TASE70-XL**

Plummer block housing unit

Plummer block housing units TASE, cast iron housing, radial insert ball bearing with eccentric locking collar, T seals

X-life

Technical information



Your current product variant

Material	GG	Grey cast iron
----------	----	----------------

Main Dimensions & Performance Data

d	70 mm	Bore diameter
L	260 mm	Length total
H ₂	156 mm	Height
≈m	6,09 kg	Weight

Mounting dimensions

J	202,5 mm	Distance fixing bore
N	22 mm	Width (slot)
N ₁	28 mm	Length (slot)

Dimensions

H	79,4 mm	Distance shaft axis
A	65 mm	Width (base)
A ₁	44 mm	Width (head)
H ₁	27,5 mm	Height (base)
B ₁	66 mm	Locking collar total width
S ₁	44,5 mm	Distance of raceway to locking collar
Q	M6	Connection thread for lubrication



Additional information

ASE14	Housing
GE70-XL-KTT-B	Bearing designation

Temperature range

T _{min}	-20 °C	Operating temperature min.
T _{max}	120 °C	Operating temperature max.