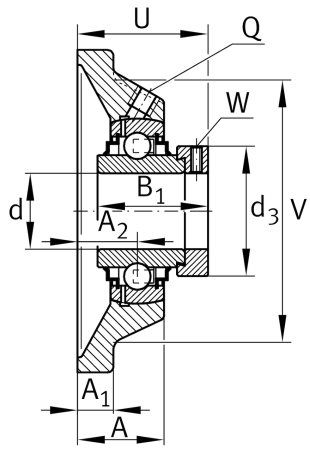
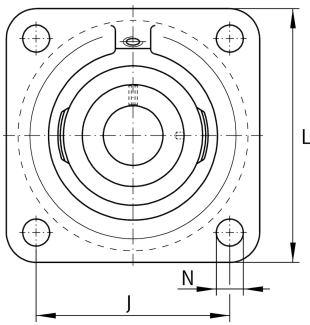


IMAGE  
COMING SOON**RCJ120-FA101**

Flanged housing unit

Flanged housing unit RCJ..-FA101

## Technical information

**Your current product variant**

Material	GG	Grey cast iron
----------	----	----------------

**Main Dimensions & Performance Data**

d	120 mm	Bore diameter
L	305 mm	Flange width
U	83,5 mm	Total height unit
$C_r$	155.000 N	Basic dynamic load rating, radial
$C_{0r}$	131.000 N	Basic static load rating, radial
$\approx m$	18,7 kg	Weight

**Mounting dimensions**

J	240 mm	Distance fixing bore
N	30 mm	Fixing bore
W	6 mm	Width across flats
n	4	Number of screwing holes



### Dimensions

A	51 mm	Height housing
A <sub>1</sub>	28 mm	Thickness of flange
A <sub>2</sub>	31 mm	Distance raceway
B	63,5 mm	Width
V	270 mm	Shoulder diameter housing
Q	M6	Connection thread for lubrication
d <sub>3</sub>	152 mm	Outside diameter locking device

### Additional information

1	Number of housings
GG.CJ24	Housing
GE120-KRR-B-FA101	Bearing designation

### Temperature range

T <sub>min</sub>	-40 °C	Operating temperature min.
T <sub>max</sub>	180 °C	Operating temperature max.