

**RSAO60-XL**

Plummer block housing unit

Plummer block housing units RSAO, cast iron housing, radial insert ball bearing with eccentric locking collar, R seals

X-life

Technical information



Your current product variant

Material	GG	Grey cast iron
----------	----	----------------

Main Dimensions & Performance Data

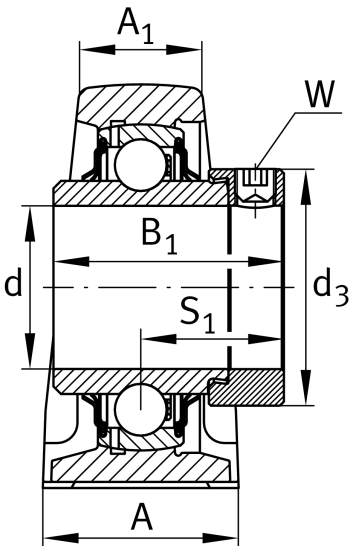
d	60 mm	Bore diameter
L	330 mm	Length total
H ₂	165 mm	Height
≈m	8,69 kg	Weight

Mounting dimensions

J	250 mm	Distance fixing bore
N	25 mm	Width (slot)
N ₁	38 mm	Length (slot)

Dimensions

H	85 mm	Distance shaft axis
A	85 mm	Width (base)
A ₁	46 mm	Width (head)
H ₁	32 mm	Height (base)
B ₁	68 mm	Locking collar total width
S ₁	45 mm	Distance of raceway to locking collar
Q	M6	Connection thread for lubrication





Additional information

SAO12	Housing
GNE60-XL-KRR-B	Bearing designation

Temperature range

T _{min}	-20 °C	Operating temperature min.
T _{max}	120 °C	Operating temperature max.