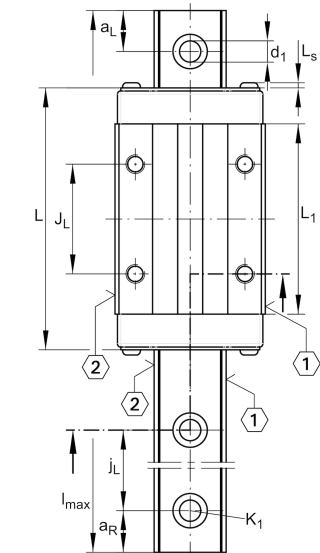
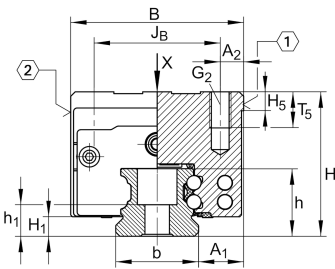


KWVE35-B-S [↗](#)

Recirculating ball bearing carriage

Carriages KWVE...-B-S, narrow carriage, four-row

Technical information



Your current product variant

Size	35
Version	B
Carriage design	S Narrow Carriage

Main Dimensions & Performance Data

H	48 mm	Height system
B	70 mm	Width carriage
L	112 mm	Overall length carriage
C	38.000 N	Dynamic load rating
C ₀	72.000 N	Static load rating
M _{0x}	1.465 Nm	Static moment rating about X axis
M _{0y}	1.020 Nm	Static moment rating about Y axis
M _{0z}	1.020 Nm	Static moment rating about Z axis
≈m	1,3 kg	Weight



Mounting dimensions

A ₁	18 mm	Distance from locating edge on carriage to locating edge on guideway
J _B	50 mm	
b	34 mm	Width rail
A ₂	10 mm	Distance from locating edge to hole
L ₁	80 mm	
L _S	1,65 mm	
J _L	50 mm	
H ₁	6,7 mm	Free space, system dimension
H ₅	6,75 mm	
T ₅	13,5 mm	Thread depth
G ₂	M8	Fixing screws above (DIN ISO 4762-12.9)
G _{2 M_A}	41 Nm	Maximum tightening torque
A ₃	12,3 mm	Position lubrication connector
G ₃	M6	Lubrication connector
t _{G₃}	7 mm	Maximum permissible screw depth for lubrication connectors
A ₄	11 mm	Position lubrication connector
G ₄	M6	Lubrication connector
t _{G₄}	7 mm	Maximum permissible screw depth for lubrication connectors
J _{L6}	22 mm	Position lubrication connector

Additional information

VMKB_065	KWVE	Material name
----------	------	---------------