

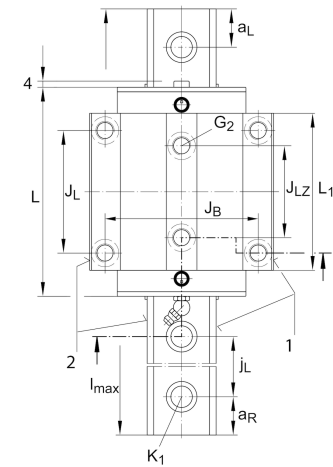
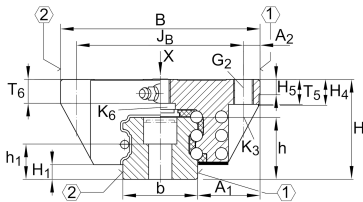
**KWSE25**

Recirculating ball bearing carriage

Standard carriage for six-row linear recirculating ball bearing and guideway assembly

X-life

Technical information



Your current product variant

Size Code	25
-----------	----

Main Dimensions & Performance Data

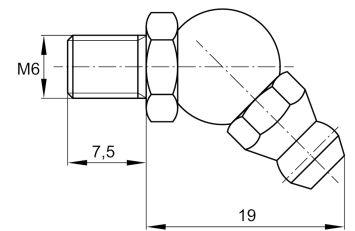
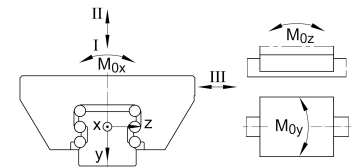
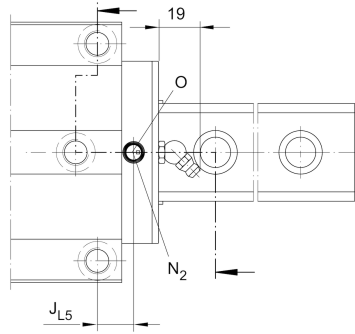
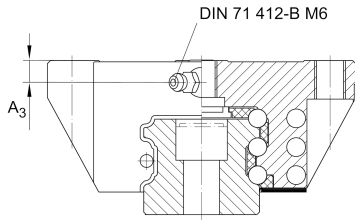
H	36 mm	Height system
B	70 mm	Width carriage
L	81,8 mm	Overall length carriage
I C	28.000 N	Dynamic load rating, load direction I: compressive load
I C ₀	67.000 N	Static load rating, load direction I: compressive load
II C	26.000 N	Dynamic load rating, load direction II: tensile load
II C ₀	45.000 N	Static load rating, load direction II: tensile load
III C	28.000 N	Dynamic load rating; basic dynamic load rating, Load direction III: lateral load
III C ₀	47.000 N	Static load rating, Load direction III: lateral load
≈m	0,6 kg	Weight



View product details on medias

01.05.2026, 16:29:58 UTC

SCHAEFFLER



Mounting dimensions

A ₁	23,5 mm	Distance from locating edge on carriage to locating edge on guideway
J _B	57 mm	
b	23 mm	Width rail
A ₂	6,5 mm	Distance from locating edge to hole
L ₁	60,9 mm	
J _L	45 mm	
J _{LZ}	40 mm	
H ₁	5,2 mm	Free space, system dimension
H ₄	9,8 mm	
H ₅	5 mm	
T ₅	10 mm	Thread depth
T ₆	9,5 mm	
G ₂	M8	Fixing screws below (DIN ISO 4762-12.9)
G _{2 M_A}	24 Nm	Maximum tightening torque
K ₃	M6	Fixing screws below (DIN ISO 4762-12.9)
K _{3 M_A}	17 Nm	Maximum tightening torque
K ₆	M6	Fixing screws below (DIN ISO 4762-12.9)
K _{6 M_A}	10 Nm	Maximum tightening torque
D ₂	6,7 mm	
N ₂	3 mm	Max. diameter of lubrication hole in adjacent construction
J _{L5}	12,94 mm	Position lubrication connector
A ₃	6 mm	Position lubrication connector
t _{A₃}	7 mm	Maximum permissible screw depth for lubrication connectors
O	3x1,5	O-Ring DIN 3771
M _{0X}	840 Nm	Moment
M _{0Y}	510 Nm	Moment
M _{0Z}	450 Nm	Moment

The data sheet only contains an overview of the technical data of the selected product. Please refer to the additional documentation for this product. For further information, please use the following link on our website: [Contact form](#)



View product details on medias

01.05.2026, 16:29:58 UTC

SCHAEFFLER

Additional information

VMKB_065

KWSE

Material name