

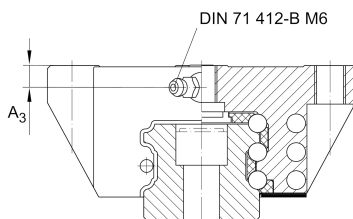
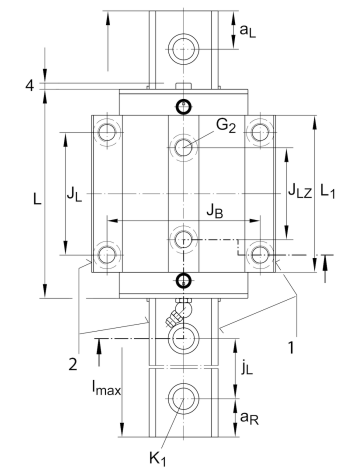
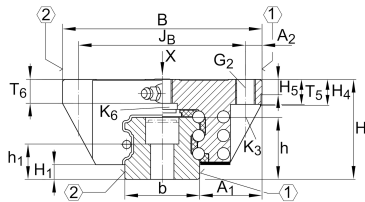
**KWSE20-L**

Recirculating ball bearing carriage

Long carriage for six-row linear recirculating ball bearing and guideway assembly

X-life

Technical information

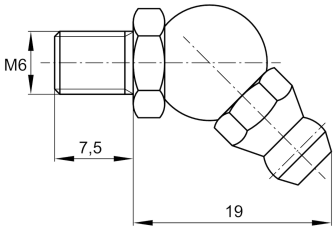
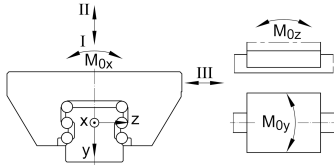
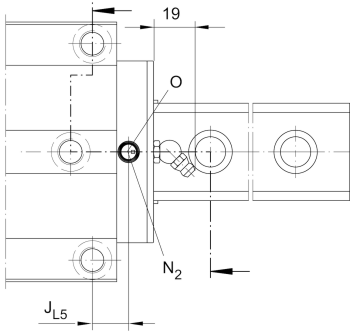


Your current product variant

Size code	20	
Carriage design	L	Long carriage

Main Dimensions & Performance Data

H	30 mm	Height system
B	63 mm	Width carriage
L	91,9 mm	Overall length carriage
I C	35.000 N	Dynamic load rating, load direction I: compressive load
I C ₀	83.000 N	Static load rating, load direction I: compressive load
II C	25.000 N	Dynamic load rating, load direction II: tensile load
II C ₀	47.000 N	Static load rating, load direction II: tensile load
III C	26.000 N	Dynamic load rating; basic dynamic load rating, Load direction III: lateral load
III C ₀	48.000 N	Static load rating, Load direction III: lateral load
≈m	0,6 kg	Weight



Mounting dimensions

A ₁	21,5 mm	Distance from locating edge on carriage to locating edge on guideway
J _B	53 mm	
b	20 mm	Width rail
A ₂	5 mm	Distance from locating edge to hole
L ₁	72,9 mm	
J _L	40 mm	
J _{LZ}	35 mm	
H ₁	4,6 mm	Free space, system dimension
H ₄	10,6 mm	
H ₅	5 mm	
T ₅	10 mm	Thread depth
T ₆	7,2 mm	
G ₂	M6	Fixing screws below (DIN ISO 4762-12.9)
G _{2 M_A}	10 Nm	Maximum tightening torque
K ₃	M5	Fixing screws below (DIN ISO 4762-12.9)
K _{3 M_A}	10 Nm	Maximum tightening torque
K ₆	M5	Fixing screws below (DIN ISO 4762-12.9)
K _{6 M_A}	5,8 Nm	Maximum tightening torque
D ₂	5,5 mm	
N ₂	3 mm	Max. diameter of lubrication hole in adjacent construction
J _{L5}	20,19 mm	Position lubrication connector
A ₃	5,8 mm	Position lubrication connector
t _{A₃}	7 mm	Maximum permissible screw depth for lubrication connectors
O	3x1,5	O-Ring DIN 3771
M _{0X}	730 Nm	Moment
M _{0Y}	640 Nm	Moment
M _{0Z}	570 Nm	Moment



View product details on medias

18.06.2026, 12:55:43 UTC

SCHAEFFLER

Additional information

VMKB_065

KWSE

Material name