



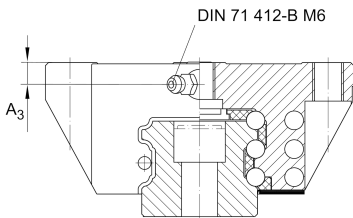
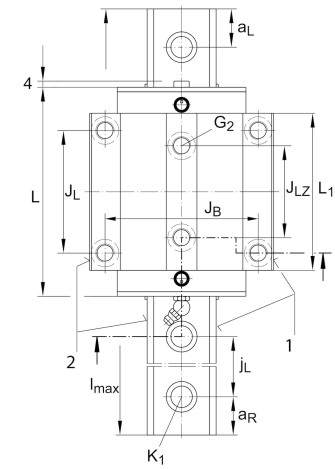
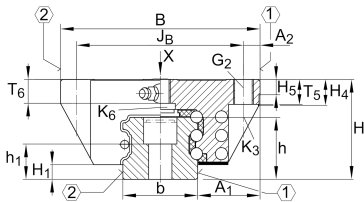
KWSE30-L

Recirculating ball bearing carriage

Long carriage for six-row linear recirculating ball bearing and guideway assembly

X-life

Technical information

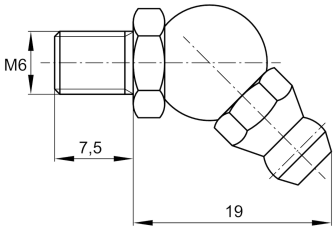
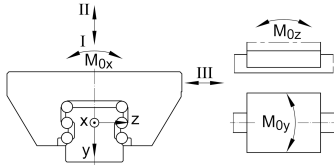
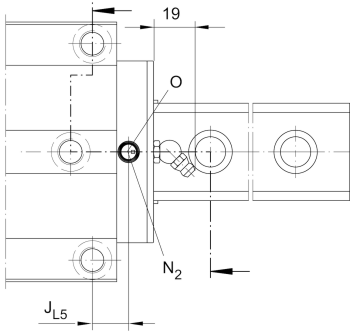


Your current product variant

Size code	30	
Carriage design	L	Long carriage

Main Dimensions & Performance Data

H	42 mm	Height system
B	90 mm	Width carriage
L	119,3 mm	Overall length carriage
I C	68.000 N	Dynamic load rating, load direction I: compressive load
I C ₀	152.000 N	Static load rating, load direction I: compressive load
II C	48.000 N	Dynamic load rating, load direction II: tensile load
II C ₀	85.000 N	Static load rating, load direction II: tensile load
III C	50.000 N	Dynamic load rating; basic dynamic load rating, Load direction III: lateral load
III C ₀	88.000 N	Static load rating, Load direction III: lateral load
≈m	1,6 kg	Weight



Mounting dimensions

A ₁	31 mm	Distance from locating edge on carriage to locating edge on guideway
J _B	72 mm	
b	28 mm	Width rail
A ₂	9 mm	Distance from locating edge to hole
L ₁	95,3 mm	
J _L	52 mm	
J _{LZ}	44 mm	
H ₁	5,4 mm	Free space, system dimension
H ₄	13,2 mm	
H ₅	6 mm	
T ₅	12 mm	Thread depth
T ₆	10 mm	
G ₂	M10	Fixing screws below (DIN ISO 4762-12.9)
G _{2 M_A}	41 Nm	Maximum tightening torque
K ₃	M8	Fixing screws below (DIN ISO 4762-12.9)
K _{3 M_A}	41 Nm	Maximum tightening torque
K ₆	M8	Fixing screws below (DIN ISO 4762-12.9)
K _{6 M_A}	24 Nm	Maximum tightening torque
D ₂	8,6 mm	
N ₂	4,5 mm	Max. diameter of lubrication hole in adjacent construction
J _{L5}	26,65 mm	Position lubrication connector
A ₃	6,5 mm	Position lubrication connector
t _{A₃}	7 mm	Maximum permissible screw depth for lubrication connectors
O	4,5x1,5	O-Ring DIN 3771
M _{0X}	1.920 Nm	Moment
M _{0Y}	1.540 Nm	Moment
M _{0Z}	1.360 Nm	Moment



View product details on medias

17.06.2026, 13:35:30 UTC

SCHAEFFLER

Additional information

VMKB_065

KWSE

Material name