



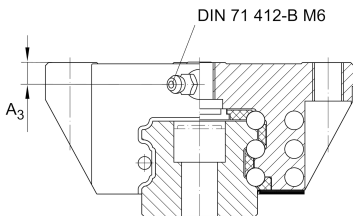
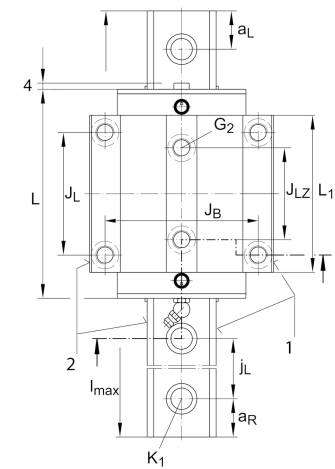
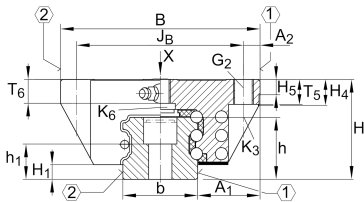
KWSE45-L

Recirculating ball bearing carriage

Long carriage for six-row linear recirculating ball bearing and guideway assembly

X-life

Technical information

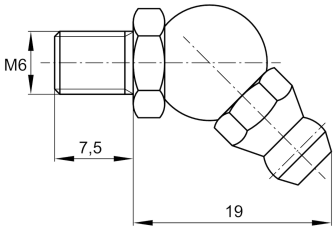
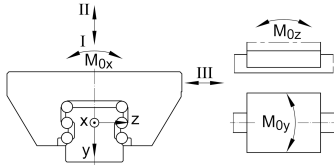
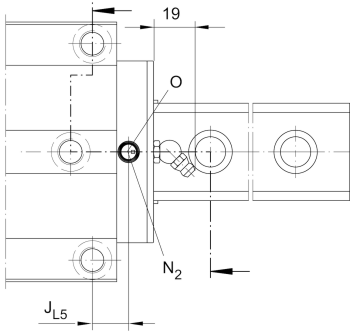


Your current product variant

Size Code	45	
Carriage design	L	Long carriage

Main Dimensions & Performance Data

H	60 mm	Height system
B	120 mm	Width carriage
L	174,3 mm	Overall length carriage
I C	128.000 N	Dynamic load rating, load direction I: compressive load
I C ₀	291.500 N	Static load rating, load direction I: compressive load
II C	89.000 N	Dynamic load rating, load direction II: tensile load
II C ₀	159.000 N	Static load rating, load direction II: tensile load
III C	93.400 N	Dynamic load rating; basic dynamic load rating, Load direction III: lateral load
III C ₀	168.000 N	Static load rating, Load direction III: lateral load
≈m	4,2 kg	Weight



Mounting dimensions

A ₁	37,5 mm	Distance from locating edge on carriage to locating edge on guideway
J _B	100 mm	
b	45 mm	Width rail
A ₂	10 mm	Distance from locating edge to hole
L ₁	138,7 mm	
J _L	80 mm	
J _{LZ}	60 mm	
H ₁	8,6 mm	Free space, system dimension
H ₄	17,7 mm	
H ₅	9 mm	
T ₅	15 mm	Thread depth
T ₆	15 mm	
G ₂	M12	Fixing screws below (DIN ISO 4762-12.9)
G _{2 M_A}	83 Nm	Maximum tightening torque
K ₃	M10	Fixing screws below (DIN ISO 4762-12.9)
K _{3 M_A}	83 Nm	Maximum tightening torque
K ₆	M10	Fixing screws below (DIN ISO 4762-12.9)
K _{6 M_A}	48 Nm	Maximum tightening torque
D ₂	10,6 mm	
N ₂	6 mm	Max. diameter of lubrication hole in adjacent construction
J _{L5}	33,45 mm	Position lubrication connector
A ₃	8,5 mm	Position lubrication connector
t _{A₃}	7 mm	Maximum permissible screw depth for lubrication connectors
O	7x1,5	O-Ring DIN 3771
M _{0X}	6.200 Nm	Moment
M _{0Y}	4.050 Nm	Moment
M _{0Z}	3.650 Nm	Moment



View product details on medias

03.07.2026, 17:43:11 UTC

SCHAEFFLER

Additional information

VMKB_065

KWSE

Material name