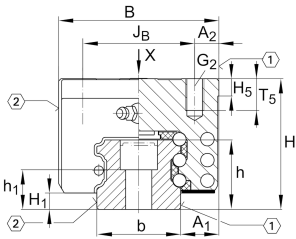
**KWSE20-H**

Recirculating ball bearing carriage

High, narrow carriage for six-row linear recirculating ball bearing and guideway assembly

X-life

Technical information

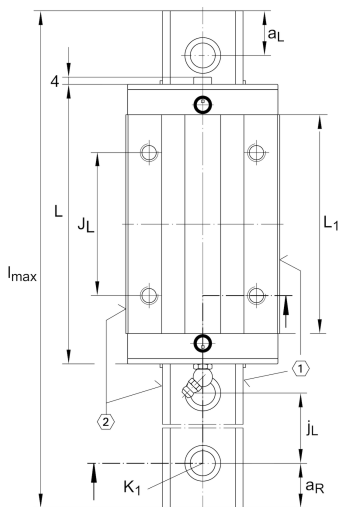


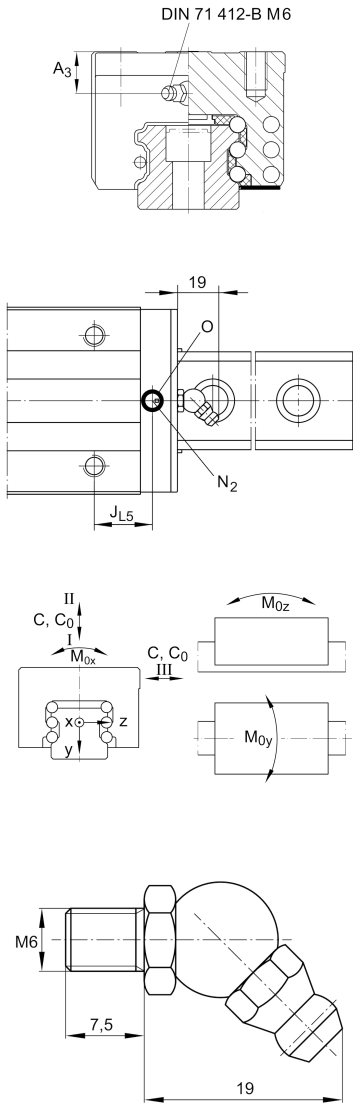
Your current product variant

Size code	20
Carriage design	H High carriage

Main Dimensions & Performance Data

H	30 mm	Height system
B	44 mm	Width carriage
L	71,4 mm	Overall length carriage
I C	25.500 N	Dynamic load rating, load direction I: compressive load
I C ₀	61.000 N	Static load rating, load direction I: compressive load
II C	21.300 N	Dynamic load rating, load direction II: tensile load
II C ₀	35.300 N	Static load rating, load direction II: tensile load
III C	21.000 N	Dynamic load rating; basic dynamic load rating, Load direction III: lateral load
III C ₀	35.000 N	Static load rating, Load direction III: lateral load
≈m	0,32 kg	Weight





Mounting dimensions

A ₁	12 mm	Distance from locating edge on carriage to locating edge on guideway
J _B	32 mm	
b	20 mm	Width rail
A ₂	6 mm	Distance from locating edge to hole
L ₁	52,4 mm	
J _L	36 mm	
H ₁	4,6 mm	Free space, system dimension
H ₅	5 mm	
T ₅	6 mm	Thread depth
G ₂	M5	Fixing screws below (DIN ISO 4762-12.9)
G ₂ M _A	10 Nm	Maximum tightening torque
N ₂	3 mm	Max. diameter of lubrication hole in adjacent construction
J _{L5}	11,95 mm	Position lubrication connector
A ₃	5,8 mm	Position lubrication connector
t A ₃	7 mm	Maximum permissible screw depth for lubrication connectors
O	3x1,5	O-Ring DIN 3771
M _{0X}	530 Nm	Moment
M _{0Y}	350 Nm	Moment
M _{0Z}	305 Nm	Moment

Additional information

VMKB_065	KWSE	Material name
----------	------	---------------