

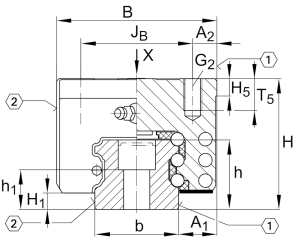
KWSE25-H

Recirculating ball bearing carriage

High, narrow carriage for six-row linear recirculating ball bearing and guideway assembly

X-life

Technical information

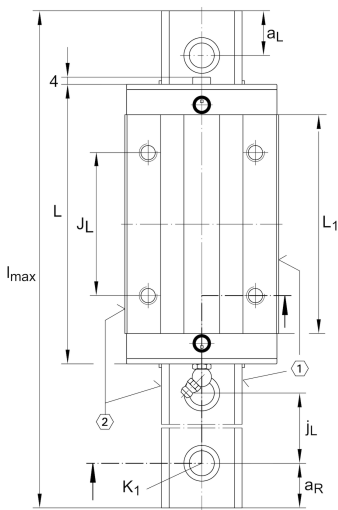


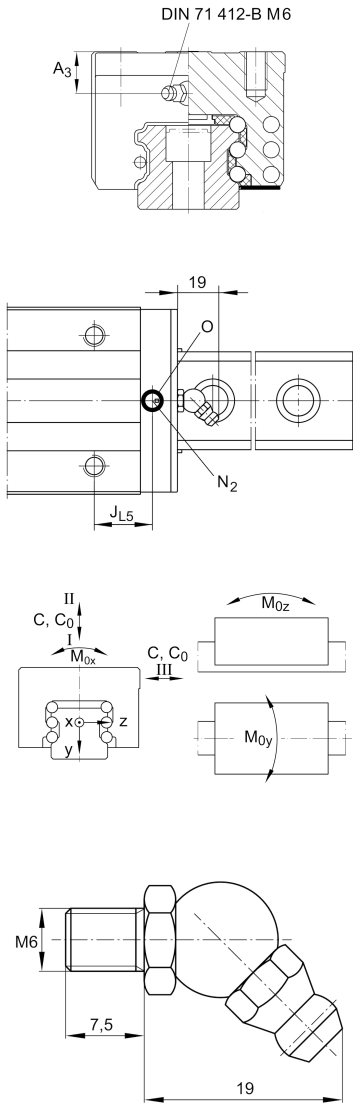
Your current product variant

Size code	25
Carriage design	H High carriage

Main Dimensions & Performance Data

H	40 mm	Height system
B	48 mm	Width carriage
L	81,8 mm	Overall length carriage
I C	38.000 N	Dynamic load rating, load direction I: compressive load
I C ₀	81.000 N	Static load rating, load direction I: compressive load
II C	26.000 N	Dynamic load rating, load direction II: tensile load
II C ₀	45.000 N	Static load rating, load direction II: tensile load
III C	28.000 N	Dynamic load rating; basic dynamic load rating, Load direction III: lateral load
III C ₀	47.000 N	Static load rating, Load direction III: lateral load
≈m	0,5 kg	Weight





Mounting dimensions

A ₁	12,5 mm	Distance from locating edge on carriage to locating edge on guideway
J _B	35 mm	
b	23 mm	Width rail
A ₂	6,5 mm	Distance from locating edge to hole
L ₁	60,9 mm	
J _L	35 mm	
H ₁	5,2 mm	Free space, system dimension
H ₅	5 mm	
G ₂	M6	Fixing screws below (DIN ISO 4762-12.9)
G _{2 M A}	17 Nm	Maximum tightening torque
N ₂	3 mm	Max. diameter of lubrication hole in adjacent construction
J _{L5}	17,94 mm	Position lubrication connector
A ₃	10 mm	Position lubrication connector
t A ₃	7 mm	Maximum permissible screw depth for lubrication connectors
O	3x1,5	O-Ring DIN 3771
M _{0X}	840 Nm	Moment
M _{0Y}	510 Nm	Moment
M _{0Z}	450 Nm	Moment

Additional information

VMKB_065	KWSE	Material name
----------	------	---------------